



YAMAHA

PARTS LIST

MODEL FS1 ('77)

MODEL FS1-DX ('77)

FOR W.GERMANY (TYPE 468)

FOR BELGIUM (TYPE 1J6)

FOR SWEDEN (TYPE 1X5)

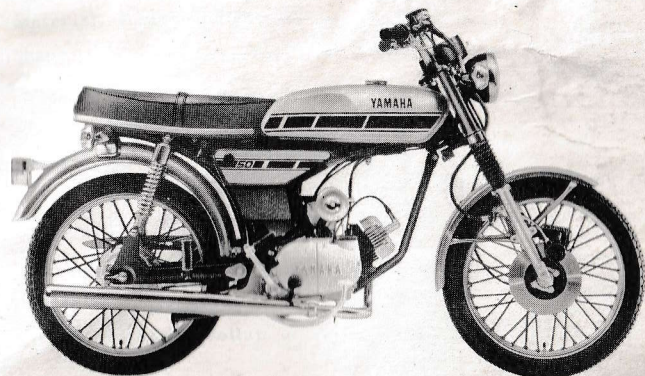
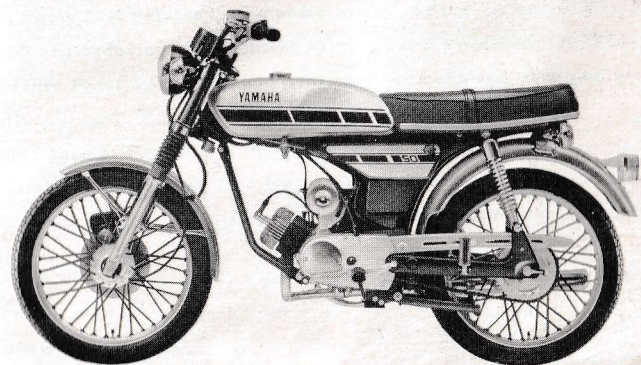
FOR DENMARK (TYPE 381)

FOR NORWAY (TYPE 473)

YAMAHA MOTOR CO., LTD.

COPY RIGHT: ALL RIGHTS RESERVED

NO PART OF THIS PUBLICATION MAY BE REPRODUCED WITHOUT PERMISS

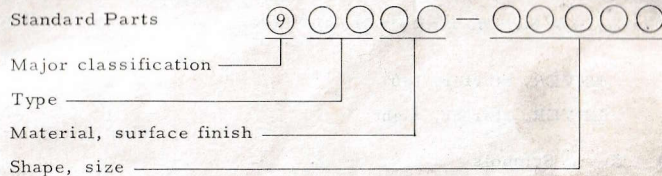
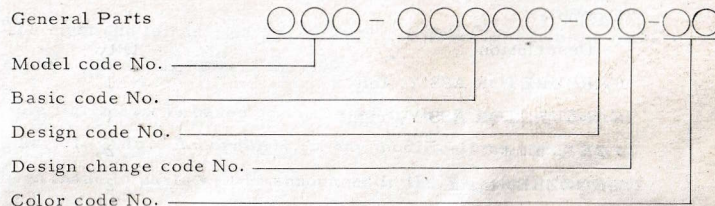


FOREWORD

This Parts List relates to the parts in use for the YAMAHA FS1/FS1-DX. When you are ordering replacement parts for the YAMAHA FS1/FS1-DX, refer to this Parts List and quote both part numbers and part names correctly.

1. Structure of Part No.

Yamaha parts are divided largely into two categories; general parts and standard parts, and each part No. has the following structure:



Note: Every standard No. begins with 9.

2. How to Use this Parts List

- (1) Except for steel balls (whose size is indicated in inches), the size of all parts is indicated in millimeters in the following manner.

Hose (rubber or vinyl) Inside diameter - length

O-ring Section area - inside diameter

Washer, shim, collar Inside diameter - outside diameter - thickness (length)

- (2) Parts, which are to be supplied in the form of assemblies, are listed with an indentation of one letter's space, and a dot (.) is put

against the name of each part. If any two different assemblies (e. g., right and left side components) consist of almost the same type components, these two assemblies are listed in two lines, and then the names of component parts are listed in the subsequent lines with an indentation as mentioned earlier. The quantity of parts is given in the following manner; that is, in the case of parts being the same in type between the right and left, a total quantity of parts is given. On the other hand, if the right and left side parts are different in type, the quantity of part(s) on each side is given.

Example

Description	Q'ty
CARBURETOR ASS'Y, left	1
CARBURETOR ASS'Y, right	1
. JET, pilot	2
. NOZZLE, main	2
.	
.	
.	
. LEVER, starter, left	1
. LEVER, starter, right	1

(3) Key to Symbols

- U. R. Use size (thickness) and/or number as required
- U. N. Use as many as you need
- T Number of teeth in a gear
- V Voltage for light bulbs
- S "S" type oil seal or "S" type circlip
- SD "SD" type oil seal
- SO "SO" type oil seal
- SW "SW" type oil seal
- E "E" type circlip
- R "R" type circlip
- F/No. Frame No. (Applicable machine No.)

- (4) The parts marked with "X" in your country column are exclusive for your country, therefore, you should place an order only those parts. Meanwhile, the other parts are common for all European countries, and then we do not mention the names of countries.
- (5) The parts marked with * in the remark column of this list are not supplied with by Yamaha, those have to be found locally.
- (6) Please be advised that we supply you with Head Lamp Unit Ass'y, Tail Lamp Unit Ass'y and Flasher Lamp Ass'y without bulbs.
- (7) The right and left in relation to parts are determined on the basis of the rider facing toward the front.
- (8) This Parts List is based on the model in the production line on Nov., 1, 1976. Accordingly, if any modifications which have been made to parts will be announced in the Yamaha Parts News. It is advisable that according to the Yamaha Parts News, you will make necessary corrections to the Parts List on hand to keep it up-to dated.

CONTENTS

ENGINE

Fig. 1	Crankcase • Cylinder	1
Fig. 2	Crankcase Cover	5
Fig. 3	Crank • Piston	7
Fig. 4	Clutch	11
Fig. 5	Transmission	13
Fig. 6	Shifter 1	17
Fig. 7	Shifter 2	19
Fig. 8	Kick Starter	21
Fig. 9	Intake	23
Fig. 10	Carburetor	25
Fig. 11	Exhaust	31
Fig. 12	Oil Pump	33
Fig. 13	Flywheel Magneto 1	35
Fig. 14	Flywheel Magneto 2	37

CHASSIS

Fig. 15	Frame • Side Cover	41
Fig. 16	Rear Arm • Rear Cushion • Chain Case	45
Fig. 17	Stand • Footrest • Brake Pedal	47
Fig. 18	Front Fender • Rear Fender	49
Fig. 19	Front Fork (FS1)	51
Fig. 20	Front Fork (FS1-DX)	53
Fig. 21	Steering	57
Fig. 22	Handle • Wire (FS1)	59
Fig. 23	Handle • Wire (FS1-DX)	65
Fig. 24	Master Cylinder • Brake Hose (FS1-DX)	71
Fig. 25	Fuel Tank	75
Fig. 26	Oil Tank	77
Fig. 27	Seat	79

Fig. 28	Front Wheel (FS1)	83
Fig. 29	Front Wheel (FS1-DX)	87
Fig. 30	Disk Brake · Caliper (FS1-DX)	91
Fig. 31	Rear Wheel	93
Fig. 32	Head Lamp 1	99
Fig. 33	Head Lamp 2	101
Fig. 34	Speedometer	103
Fig. 35	Tail Lamp 1	105
Fig. 36	Tail Lamp 2	107
Fig. 37	Flasher Lamp 1	109
Fig. 38	Flasher Lamp 2	111
Fig. 39	Electrical	113

REPAIR KIT

Fig. 40	Repair Kit	119
---------	------------	-----

NUMERICAL INDEX

ENGINE



YAMAHA
PARTS

Fig. 1 CRANKCASE · CYLINDER

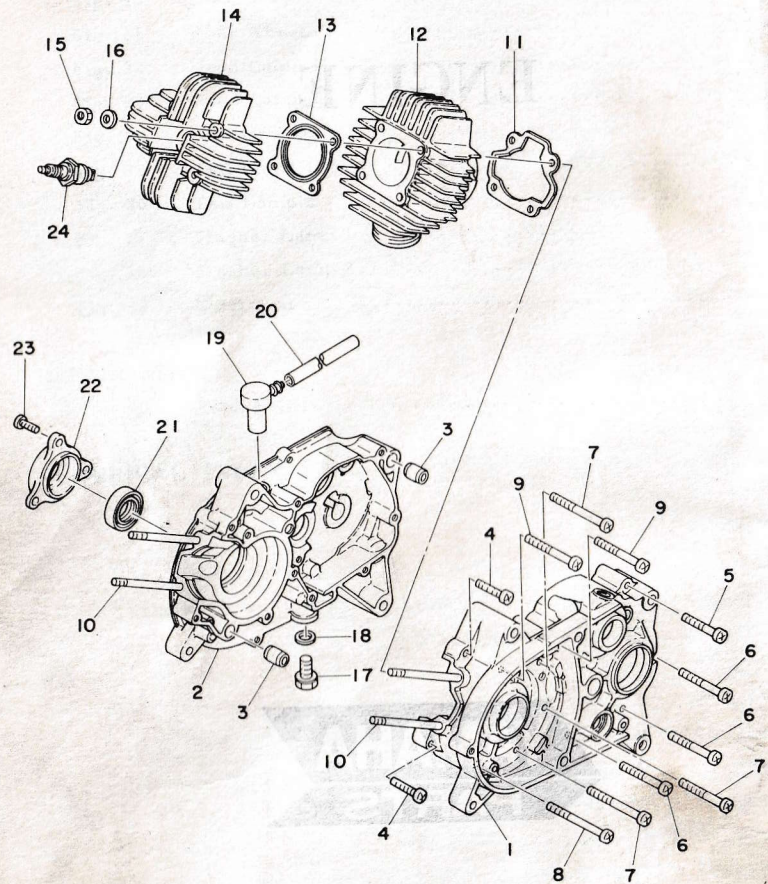
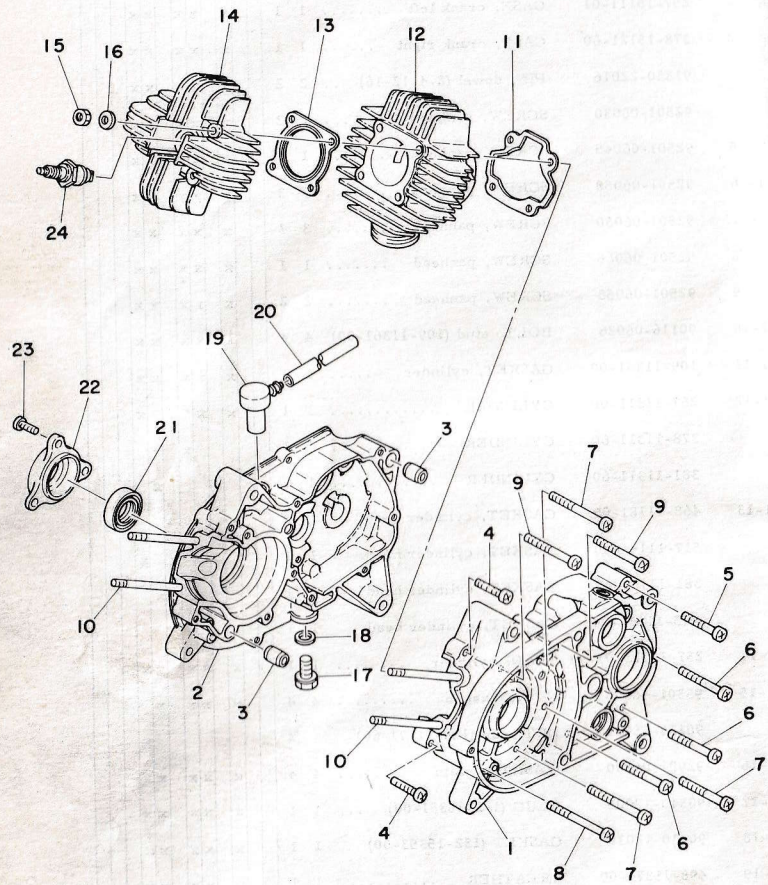


Fig. 1 CRANKCASE · CYLINDER

Ref. No.	Parts No.	Description	Q'ty	FSI FSDX											Remarks
				FRANCE	HOLLAND	SWITZERLAND w. GERMANY	BELGIUM	SWEDEN	FINLAND	DENMARK	NORWAY	AUSTRIA	ENGLAND	ITALY	
1- 1	257-15111-01	CASE, crank left	1 1	x	x	x	x	x	x	x	x	x	x	x	
1- 2	378-15121-60	CASE, crank right	1 1	x	x	x	x	x	x	x	x	x	x	x	
1- 3	91830-22016	PIN, dowel (8.4-12-16)	2 2	x	x	x	x	x	x	x	x	x	x	x	
1- 4	92501-06030	SCREW, panhead	2 2	x	x	x	x	x	x	x	x	x	x	x	
1- 5	92501-06045	SCREW, panhead	1 1	x	x	x	x	x	x	x	x	x	x	x	
1- 6	92501-06050	SCREW, panhead	3 3	x	x	x	x	x	x	x	x	x	x	x	
1- 7	92501-06060	SCREW, panhead	3 3	x	x	x	x	x	x	x	x	x	x	x	
1- 8	92501-06065	SCREW, panhead	1 1	x	x	x	x	x	x	x	x	x	x	x	
1- 9	92501-06055	SCREW, panhead	2 2	x	x	x	x	x	x	x	x	x	x	x	
1-10	90116-06026	BOLT, stud (109-11361-00)	4 4	x	x	x	x	x	x	x	x	x	x	x	
1-11	109-11351-00	GASKET, cylinder	1 1	x	x	x	x	x	x	x	x	x	x	x	
1-12	257-11311-00	CYLINDER	1 1	x	x										
	378-11311-60	CYLINDER	1 1			x									
	381-11311-60	CYLINDER	1 1				x								
1-13	468-11181-00	GASKET, cylinder head	1	x											
	517-11181-00	GASKET, cylinder head	1 1			x									
	381-11181-60	GASKET, cylinder head	1 1				x								
	1X5-11181-00	GASKET, cylinder head	1 1				x								
1-14	257-11111-01-94	HEAD, cylinder	1 1	x	x	x	x	x	x	x	x	x	x	x	
1-15	95301-06600	NUT, hexagon	4 4	x	x	x	x	x	x	x	x	x	x	x	
	90176-06002	NUT, cap (126-11171-60)	4											x	
1-16	92901-06200	WASHER, plain	4 4	x	x	x	x	x	x	x	x	x	x	x	
1-17	90340-12005	PLUG (132-15351-00)	1 1	x	x	x	x	x	x	x	x	x	x	x	
1-18	90430-12038	GASKET (132-15353-00)	1 1	x	x	x	x	x	x	x	x	x	x	x	
1-19	498-15371-00	BREATHER	1 1	x	x	x	x	x	x	x	x	x	x	x	
1-20	90446-07009	HOSE (304-15373-00)	1 1	x	x	x	x	x	x	x	x	x	x	x	5-200
1-21	93103-25078	OIL SEAL (SW-25-35-10)	1 1	x	x	x	x	x	x	x	x	x	x	x	
1-22	378-15359-60	HOUSING, oil seal	1 1	x	x	x	x	x	x	x	x	x	x	x	

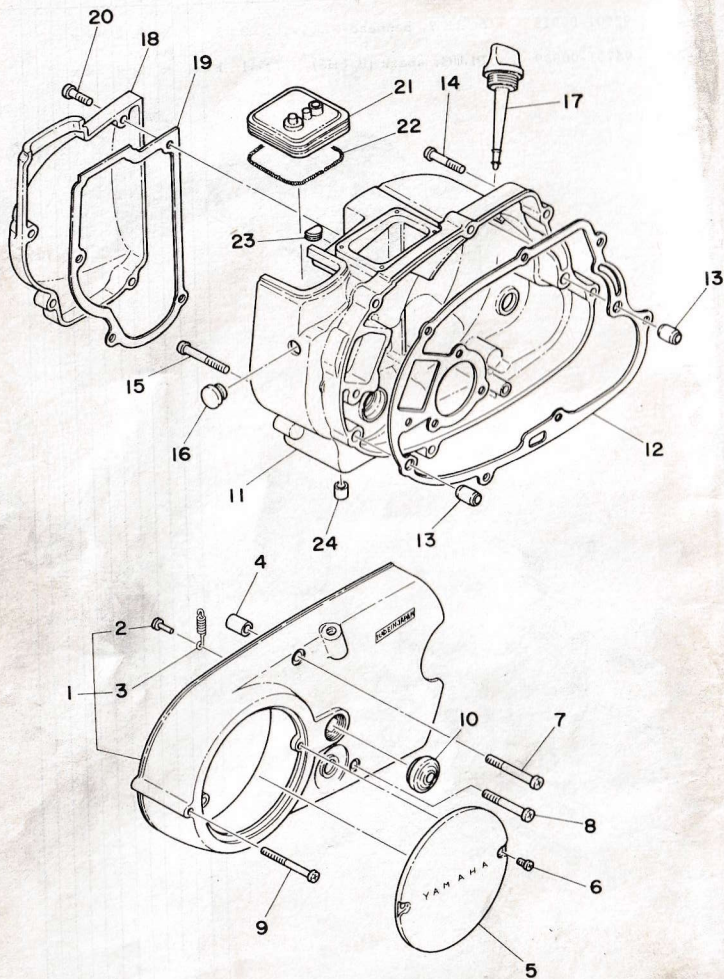
Fig. 1 CRANKCASE · CYLINDER



Ref. No. Parts No. Description Q'ty

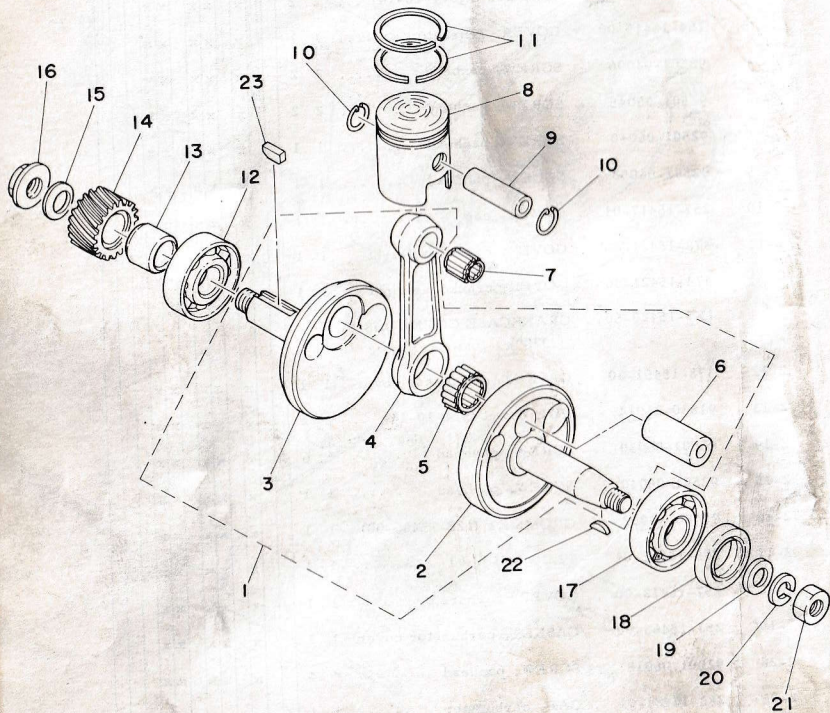
		FSI FSIX										Remarks	
		FRANCE	GERMANY	SWITZERLAND	BELGIUM	NETHERLANDS	IRELAND	ENGLAND	AUSTRIA	SCOTLAND	FINLAND		
1-23	92501-06015	SCREW, panhead										3 3	
1-24	94701-00039	PLUG, spark (B-6HS)										1 1	
		x	x	x	x	x	x	x	x	x	x		

Fig. 2 CRANKCASE COVER



Ref. No.	Parts No.	Description	Q'ty	FSI FSIX											Remarks	
				FRANCE	HOLLAND	SWITZERLAND	W. GERMANY	ENGLAND	FINLAND	GERMANY	IRELAND	NORWAY	AUSTRIA	ITALY		
2- 1	257-15410-01	CRANKCASE COVER ASS'Y, left	1 1	x	x	x	x	x								
2- 2	132-16346-00	. HOOK, spring	1 1	x	x	x	x	x								
2- 3	90506-07066	. SPRING, tension (257-16345-00)	1 1	x	x	x	x	x								
2- 4	91830-21014	PIN, dowel (6.4-10-14)	2 2	x	x	x	x	x								
2- 5	164-15415-00	COVER, generator	1 1	x	x	x	x	x								
2- 6	98501-04006	SCREW, panhead	2 2	x	x	x	x	x								
2- 7	92501-06045	SCREW, panhead	2 2	x	x	x	x	x								
2- 8	92501-06040	SCREW, panhead	1 1	x	x	x	x	x								
2- 9	92501-06050	SCREW, panhead	1 1	x	x	x	x	x								
2-10	257-15417-01	COVER, cap	1 1	x	x	x	x	x								
2-11	378-15421-60	COVER, crankcase right	1 1					x	x							
	474-15421-00	COVER, crankcase right	1 1	x	x											
	1X5-15420-60	CRANKCASE COVER ASS'Y, right	1 1							x						
2-12	378-15451-60	GASKET, crankcase cover	1 1	x	x	x	x	x								
2-13	91830-21014	PIN, dowel (6.4-10-14)	2 2	x	x	x	x	x								
2-14	92501-06030	SCREW, panhead	6 6	x	x	x	x	x								
2-15	92501-06040	SCREW, panhead	1 1	x	x	x	x	x								
2-16	90480-12012	GROMMET (122-15486-00)	1 1	x	x	x	x	x								
2-17	315-15362-01	PLUG, oil level	1 1	x	x	x	x	x								
2-18	257-15413-00	COVER, carburetor	1 1	x	x	x	x	x								
2-19	257-15463-00	GASKET, carburetor cover	1 1	x	x	x	x	x								
2-20	92501-06018	SCREW, panhead	4 4	x	x	x	x	x								
2-21	288-14481-01	CAP, carburetor	1 1	x	x	x	x	x								
2-22	90506-06095	SPRING, tension (288-14455-00)	1 1	x	x	x	x	x								
2-23	129-15489-10	GROMMET, pump wire	1 1					x	x							
2-24	257-15433-00	CLEANER, drain	1 1	x	x	x	x	x								

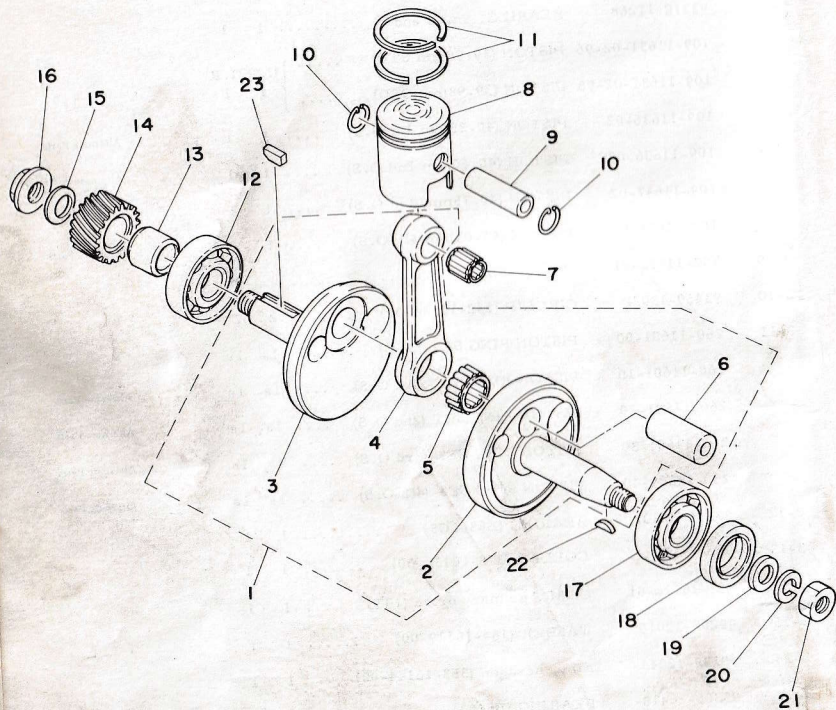
Fig. 3 CRANK · PISTON



FWD

Ref. No.	Parts No.	Description	Q'ty		Remarks
			FSI	FSIDX	
3- 1	355-11400-01	CRANK ASS'Y	1	1	
3- 2	257-11412-01	. CRANK, left	1	1	
3- 3	257-11422-01	. CRANK, right	1	1	
3- 4	517-11651-00	. ROD, connecting	1	1	
3- 5	93310-41810	. BEARING, big end	1	1	
3- 6	257-11681-00	. PIN, crank	1	1	
3- 7	93310-11268	BEARING, small end	1	1	
3- 8	109-11631-02-96	PISTON (39.96mm STD)	1	1	} U.R.U.R
	109-11631-02-98	PISTON (39.98mm STD)	1	1	
	109-11635-02	PISTON (40.25mm 1st O.S)	1	1	Alternate Parts
	109-11636-02	PISTON (40.50mm 2nd O.S)	1	1	Alternate Parts
	109-11637-02	PISTON (40.75mm 3rd O.S)	1	1	Alternate Parts
	109-11638-02	PISTON (41.00mm 4th O.S)	1	1	Alternate Parts
3- 9	102-11633-01	PIN, piston	1	1	
3-10	93450-13022	CIRCLIP (132-11634-00)	2	2	
3-11	260-11601-00	PISTON RING SET (STD)	1s	1s	
	260-11601-10	PISTON RING SET (1st O.S)	1s	1s	Alternate Parts
	260-11601-20	PISTON RING SET (2nd O.S)	1s	1s	Alternate Parts
	260-11601-30	PISTON RING SET (3rd O.S)	1s	1s	Alternate Parts
	260-11601-40	PISTON RING SET (4th O.S)	1s	1s	Alternate Parts
3-12	93306-30302	BEARING (B6303C3)	1	1	
3-13	90387-17139	COLLAR (378-16136-60)	1	1	
3-14	257-16111-01	GEAR, primary drive (19T)	1	1	
3-15	90208-12015	WASHER (164-16119-00)	1	1	
3-16	90179-12044	NUT, hexagon (353-16144-00)	1	1	
3-17	93306-20418	BEARING (B6204)	1	1	
3-18	93102-20009	OIL SEAL (SD-20-35-7)	1	1	
3-19	90201-12535	WASHER, plate (214-11557-01)	1	1	
3-20	92901-12100	WASHER, spring	1	1	

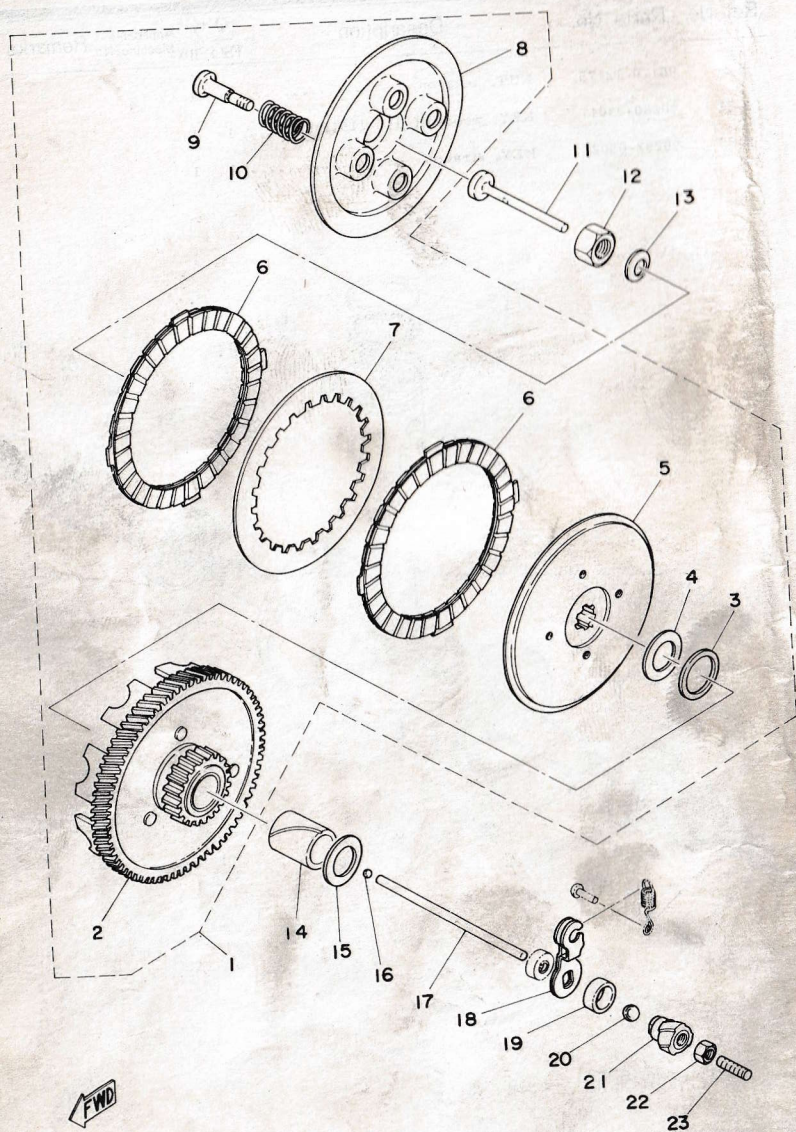
Fig. 3 CRANK · PISTON



Ref. No.	Parts No.	Description	Q'ty	Applicable Machine No.	Remarks
3-21	90170-12175	NUT, hexagon	1	1	
3-22	90280-03017	KEY, woodruff (146-11545-00)	1	1	
3-23	90282-05028	KEY, straight	1	1	

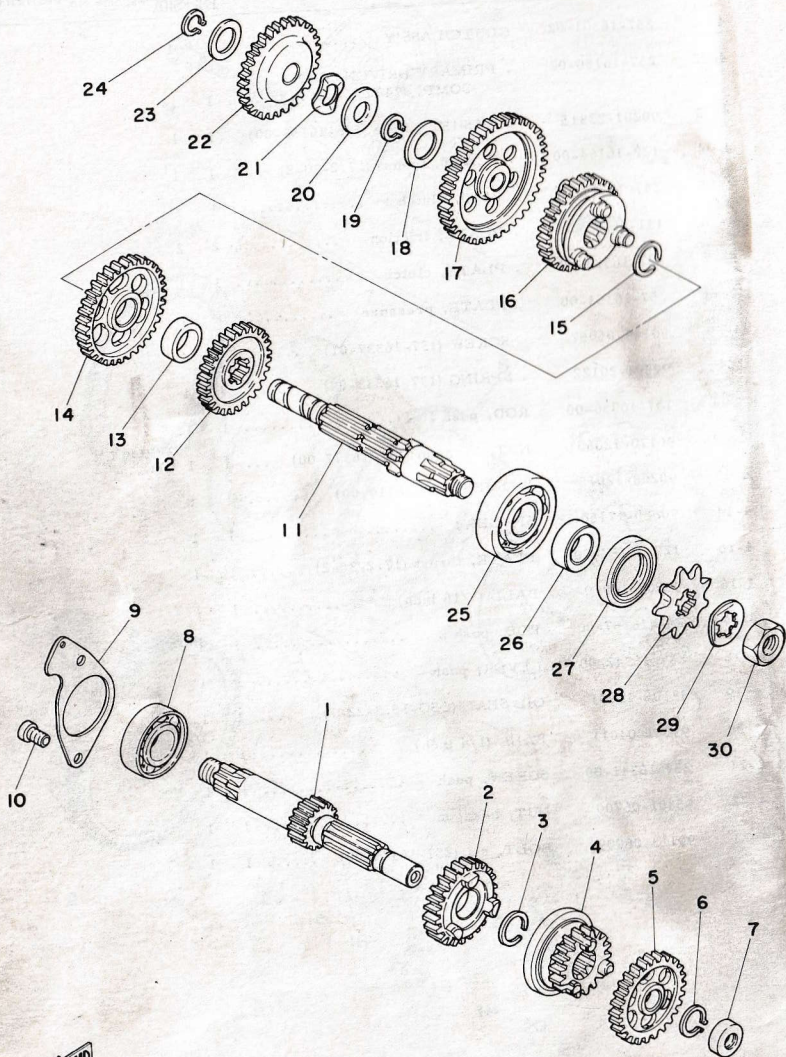
FWD

Fig. 4 CLUTCH



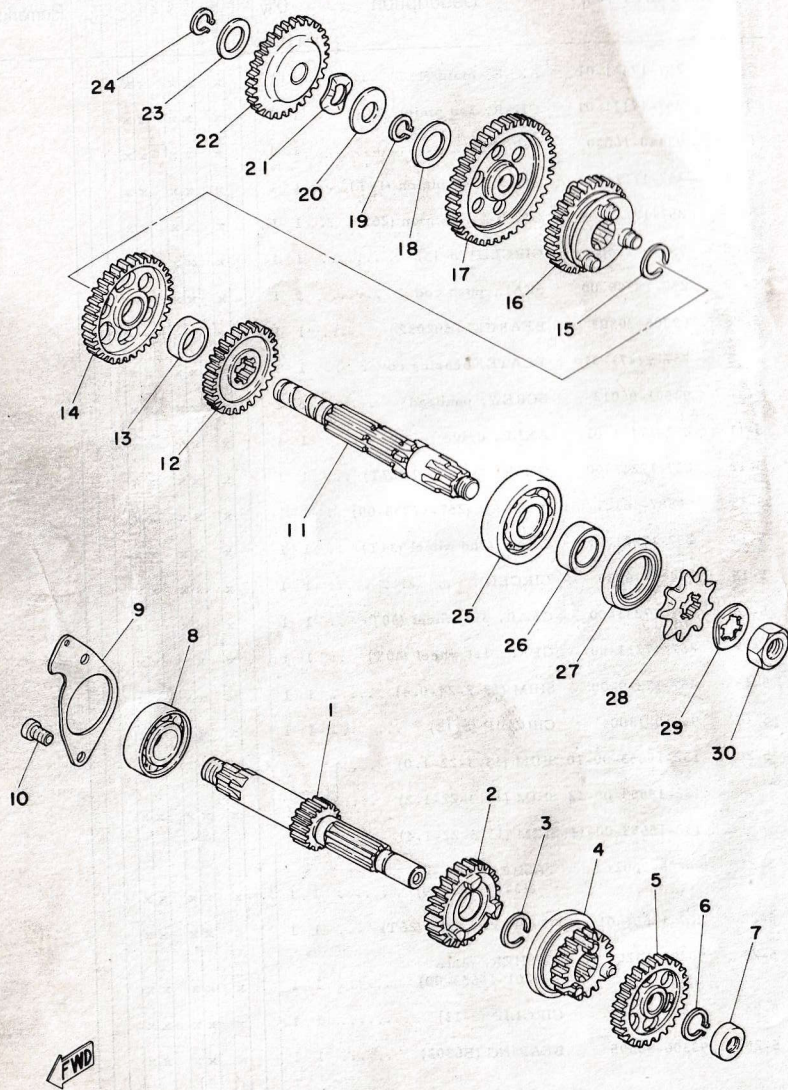
Ref. No.	Parts No.	Description	Q'ty		Remarks
			FSI	FSIDM	
4-1	257-16301-02	CLUTCH ASS'Y	1	1	
4-2	257-16150-02	PRIMARY DRIVEN GEAR COMP. (74T)	1	1	
4-3	90201-23315	WASHER, plate (116-16153-00)	1	1	
4-4	122-16164-00	PLATE, thrust (17.2-30-2)	1	1	
4-5	257-16371-00	BOSS, clutch	1	1	
4-6	131-16321-00	PLATE, friction	2	2	
4-7	257-16324-00	PLATE, clutch	1	1	
4-8	257-16351-00	PLATE, pressure	1	1	
4-9	90149-05057	SCREW (137-16337-01)	4	4	
4-10	90501-20122	SPRING (137-16333-00)	4	4	
4-11	137-16356-00	ROD, push 1	1	1	
4-12	90170-12060	NUT, hexagon (137-16377-00)	1	1	
4-13	90208-12015	WASHER (164-16119-00)	1	1	
4-14	90560-17150	SPACER	1	1	
4-15	122-16164-00	PLATE, thrust (17.2-30-2)	1	1	
4-16	93503-16010	BALL (3/16 inch)	1	1	
4-17	257-16357-00	ROD, push 2	1	1	
4-18	257-16342-00	LEVER, push	1	1	
4-19	93108-15001	OIL SEAL (OSO-15.3-22-7)	1	1	
4-20	93501-04011	BALL (1/4 inch)	1	1	
4-21	257-16341-00	SCREW, push	1	1	
4-22	95301-06700	NUT, hexagon	1	1	
4-23	90113-06009	BOLT, set (257-16343-00)	1	1	

Fig. 5 TRANSMISSION



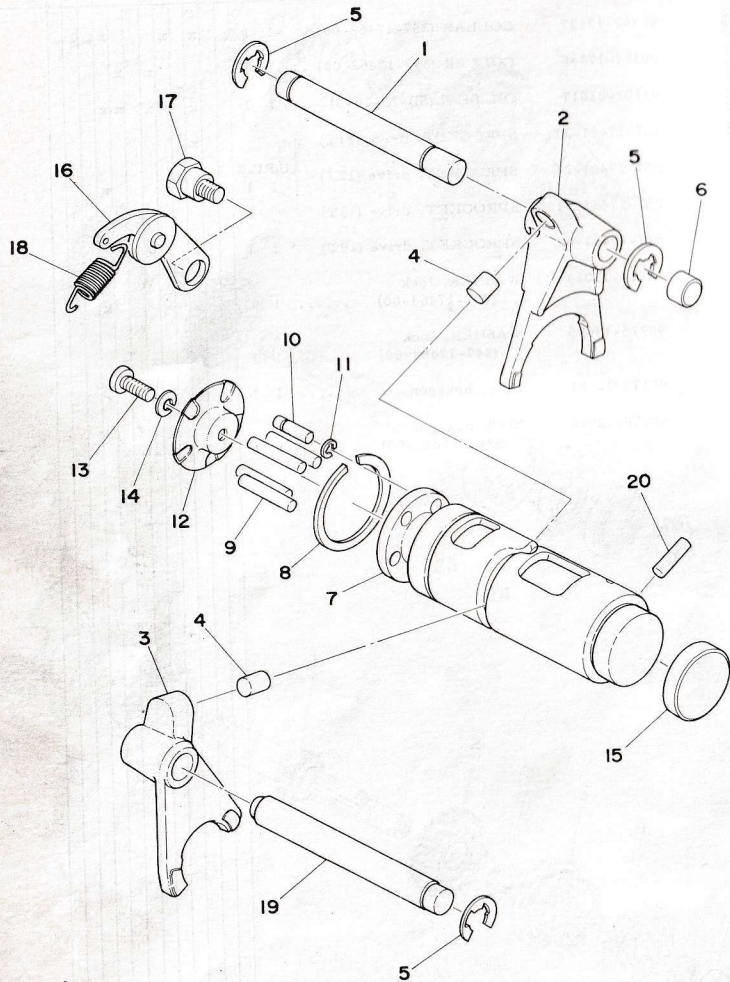
Ref. No.	Parts No.	Description	Q'ty	FSI FSIX										Remarks	
				FRANCE	HOLLAND	WEST GERMANY	SWITZERLAND	SWEDEN	FINLAND	DENMARK	NORWAY	AUSTRIA	ENGLAND		ITALY
5- 1	257-17411-01	AXLE, main (13T)	1 1	x	x	x	x	x	x	x	x	x			
5- 2	257-17131-01	GEAR, 3rd pinion (23T) ..	1 1	x	x	x	x	x	x	x	x	x			
5- 3	93440-16030	CIRCLIP	1 1	x	x	x	x	x	x	x	x	x			
5- 4	257-17121-00	GEAR, 2nd pinion (18T) ..	1 1	x	x	x	x	x	x	x	x	x			
5- 5	257-17141-00	GEAR, 4th pinion (26T) ..	1 1	x	x	x	x	x	x	x	x	x			
5- 6	93410-13004	CIRCLIP (S-13)	1 1	x	x	x	x	x	x	x	x	x			
5- 7	257-15389-00	SEAL, push rod	1 1	x	x	x	x	x	x	x	x	x			
5- 8	93306-20303	BEARING (B6203Z)	1 1	x	x	x	x	x	x	x	x	x			
5- 9	257-17471-01	PLATE, bearing cover ..	1 1	x	x	x	x	x	x	x	x	x			
5-10	92501-06012	SCREW, panhead	2 2	x	x	x	x	x	x	x	x	x			
5-11	257-17421-01	AXLE, drive	1 1	x	x	x	x	x	x	x	x	x			
5-12	257-17241-00	GEAR, 4th wheel (27T) ...	1 1	x	x	x	x	x	x	x	x	x			
5-13	90387-16127	COLLAR (257-17258-00) ..	1 1	x	x	x	x	x	x	x	x	x			
5-14	257-17221-01	GEAR, 2nd wheel (34T) ..	1 1	x	x	x	x	x	x	x	x	x			
5-15	93440-16030	CIRCLIP	1 1	x	x	x	x	x	x	x	x	x			
5-16	257-17231-00	GEAR, 3rd wheel (30T) ..	1 1	x	x	x	x	x	x	x	x	x			
5-17	257-17211-00	GEAR, 1st wheel (40T) ..	1 1	x	x	x	x	x	x	x	x	x			
5-18	257-17219-00	SHIM (13.2-24-0.4)	1 1	x	x	x	x	x	x	x	x	x			
5-19	93410-13004	CIRCLIP (S-13)	1 1	x	x	x	x	x	x	x	x	x			
5-20	132-15653-00-10	SHIM (13.3-22-1.0)	} U.R.U.R. 1 1	x	x	x	x	x	x	x	x	x			
	132-15653-00-12	SHIM (13.3-22-1.2)			x	x	x	x	x	x	x	x	x		
	132-15653-00-14	SHIM (13.3-22-1.4)			x	x	x	x	x	x	x	x	x		
5-21	90206-15021	WASHER, wave (137-15643-00)	1 1	x	x	x	x	x	x	x	x	x			
5-22	257-15651-01	GEAR, kick idle (26T) ...	1 1	x	x	x	x	x	x	x	x	x			
5-23	90201-13202	WASHER, plate (201-15653-00)	1 1	x	x	x	x	x	x	x	x	x			
5-24	93410-13004	CIRCLIP (S-13)	1 1	x	x	x	x	x	x	x	x	x			
5-25	93306-30305	BEARING (B6303)	1 1	x	x	x	x	x	x	x	x	x			

Fig. 5 TRANSMISSION



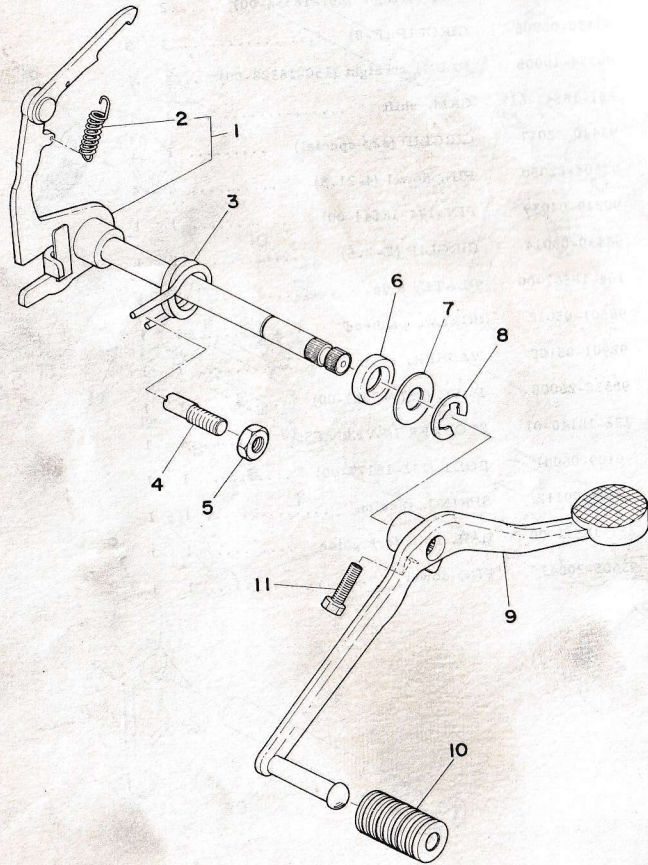
Ref. No.	Parts No.	Description	Q'ty	FSI FSIX										Remarks													
				FINLAND	HOLLAND	WEST GERMANY	SWITZERLAND	SPAIN	FRANCE	ENGLAND	AUSTRIA	ITALY	GERMANY														
5-26	90387-17137	COLLAR (257-17462-00) ..	1 1	x																							
	90387-17138	COLLAR (347-17462-00) ..	1 1																								
5-27	93102-25017	OIL SEAL(SD-25-40-5) ...	1 1	x																							
5-28	257-17461-11	SPROCKET, drive (11T)	} U.R.U.R. 1 1	x																							
	257-17461-21	SPROCKET, drive (12T)																									
	257-17461-31	SPROCKET, drive (13T)																									
	347-17461-00	SPROCKET, drive (19T)		1 1																							
5-29	90215-13019	WASHER, lock (257-17464-00)	1 1	x																							
	90215-13025	WASHER, lock (347-17464-00)	1 1																								
5-30	90179-12181	NUT, hexagon	1 1	x																							
	90179-12016	NUT, hexagon (347-17463-00)	1 1																								

Fig. 6 SHIFTER 1



Ref. No.	Parts No.	Description	Q'ty		Remarks
			FSI	FSIDX	
6- 1	257-18534-00	BAR, shift fork guide	1	1	
6- 2	259-18511-01	FORK, shift 1	1	1	
6- 3	257-18512-01	FORK, shift 2	1	1	
6- 4	90250-06013	PIN, straight (257-18552-00)	2	2	
6- 5	93430-08006	CIRCLIP (E-8)	3	3	
6- 6	90334-10006	PLUG, straight (150-18328-00)	1	1	
6- 7	257-18541-61	CAM, shift	1	1	
6- 8	93440-32017	CIRCLIP (32φ special)	1	1	
6- 9	93604-22050	PIN, dowel (4-21.8)	4	4	
6-10	90249-04039	PIN (174-18544-00)	1	1	
6-11	93430-03014	CIRCLIP (E-2.5)	1	1	
6-12	164-18561-00	PLATE, side	1	1	
6-13	98501-05012	SCREW, panhead	1	1	
6-14	92901-05100	WASHER, spring	1	1	
6-15	90338-26008	PLUG (257-18589-00)	1	1	
6-16	132-18140-01	STOPPER LEVER ASS'Y	1	1	
6-17	90109-06001	BOLT (132-18177-00)	1	1	
6-18	90506-09112	SPRING, tension	1	1	
6-19	257-18531-00	BAR, shift fork guide	1	1	
6-20	93605-20043	PIN, dowel	1	1	

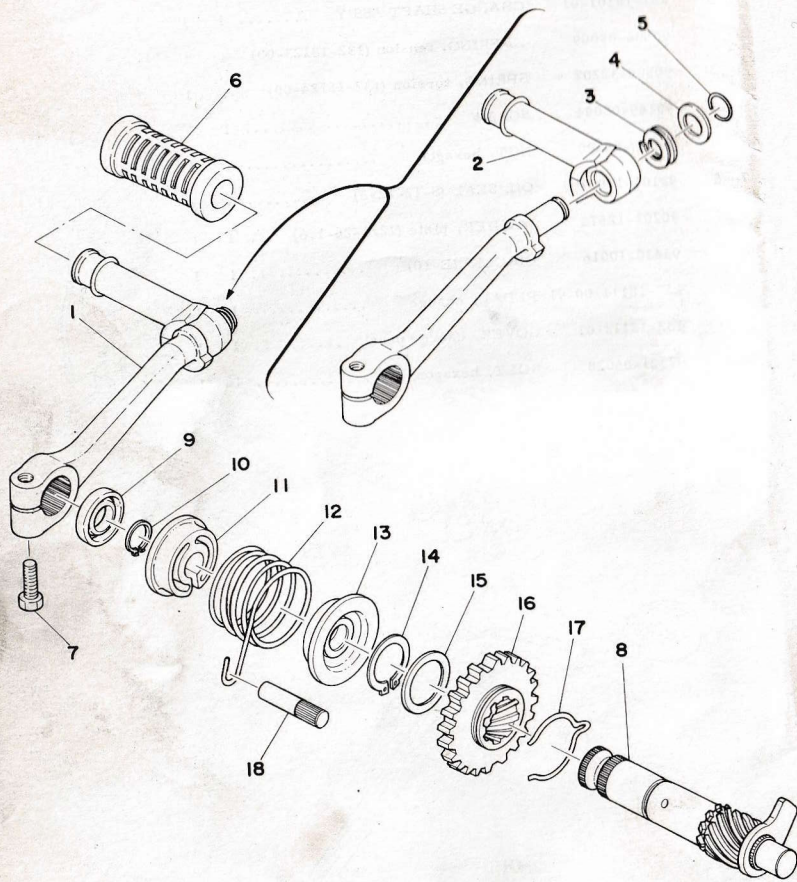
Fig. 7 SHIFTER 2



Ref. No.	Parts No.	Description	Q'ty	Applicable Machine No.	Remarks
7- 1	257-18101-01	CHANGE SHAFT ASS'Y	1	1	
7- 2	90506-09009	SPRING, tension (132-18123-00)	1	1	
7- 3	90508-32207	SPRING, torsion (132-18124-00)	1	1	
7- 4	90149-08094	SCREW	1	1	
7- 5	95301-08600	NUT, hexagon	1	1	
7- 6	93101-12004	OIL SEAL (S-12-22-5)	1	1	
7- 7	90201-12575	WASHER, plate (12.1-26-1.6)	1	1	
7- 8	93430-10016	CIRCLIP (E-10)	1	1	
7- 9	257-18111-00-91	PEDAL, change	1	1	
7-10	132-18113-01	COVER, change pedal	1	1	
7-11	97321-06020	BOLT, hexagon	1	1	

FWD

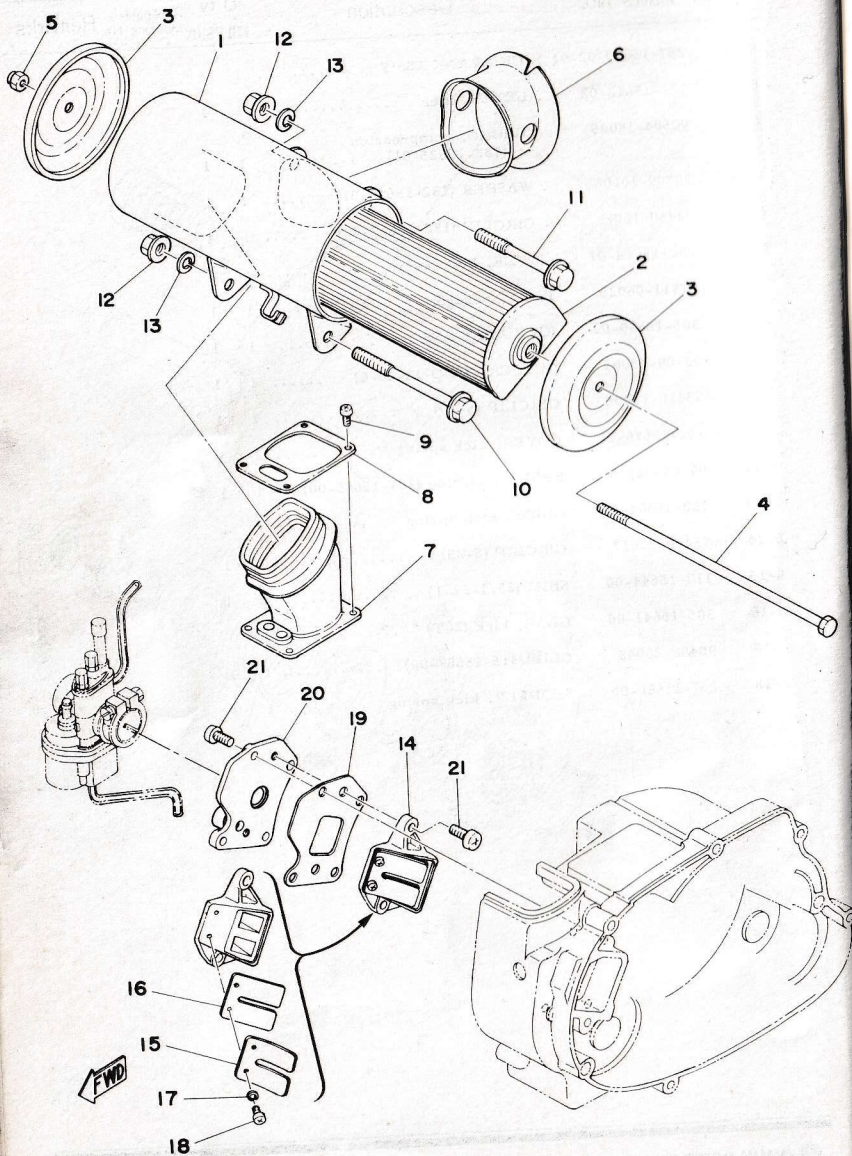
Fig. 8 KICK STARTER



Ref. No.	Parts No.	Description	Q'ty		Remarks
			FSI	FSIDX	
#- 1	257-15610-02-91	KICK CRANK ASS'Y	1	1	
#- 2	122-15612-02	. LEVER, kick	1	1	
#- 3	90504-18005	. SPRING, compression (132-15625-01)	1	1	
#- 4	90209-10108	. WASHER (132-15616-01)	1	1	
#- 5	93440-10028	. CIRCLIP (132-15617-00)	1	1	
#- 6	156-15618-01	COVER, kick lever	1	1	
#- 7	97311-06025	BOLT, hexagon	1	1	
#- 8	305-15660-02	KICK AXLE ASS'Y	1	1	
#- 9	-93109-15001	OIL SEAL (SDO-15-26-6)	1	1	
#-10	93410-15005	CIRCLIP (S-15)	1	1	
#-11	132-15676-01	COVER, kick spring	1	1	
#-12	90508-26136	SPRING, torsion (304-15665-00)	1	1	
#-13	132-15664-01	GUIDE, kick spring	1	1	
#-14	93410-25017	CIRCLIP (S-25)	1	1	
#-15	117-15644-00	SHIM (25.1-32-1)	1	1	
#-16	305-15641-00	GEAR, kick (26T)	1	1	
#-17	90468-26048	CLIP (315-15687-00)	1	1	
#-18	257-15668-00	STOPPER, kick spring	1	1	

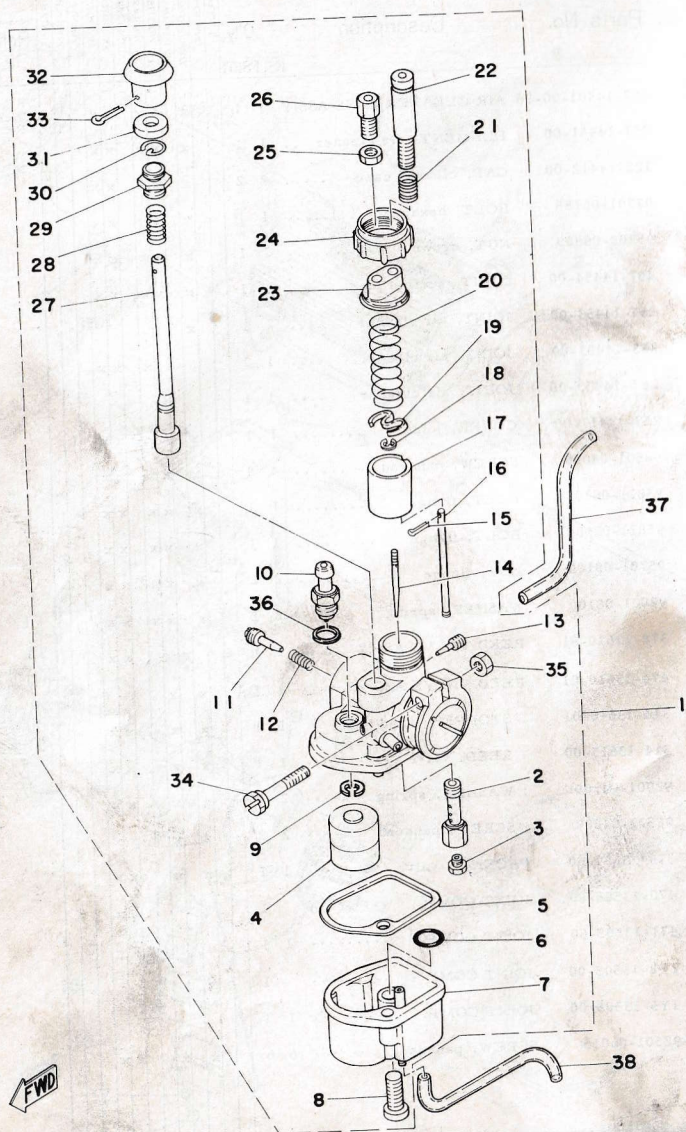


Fig. 9 INTAKE



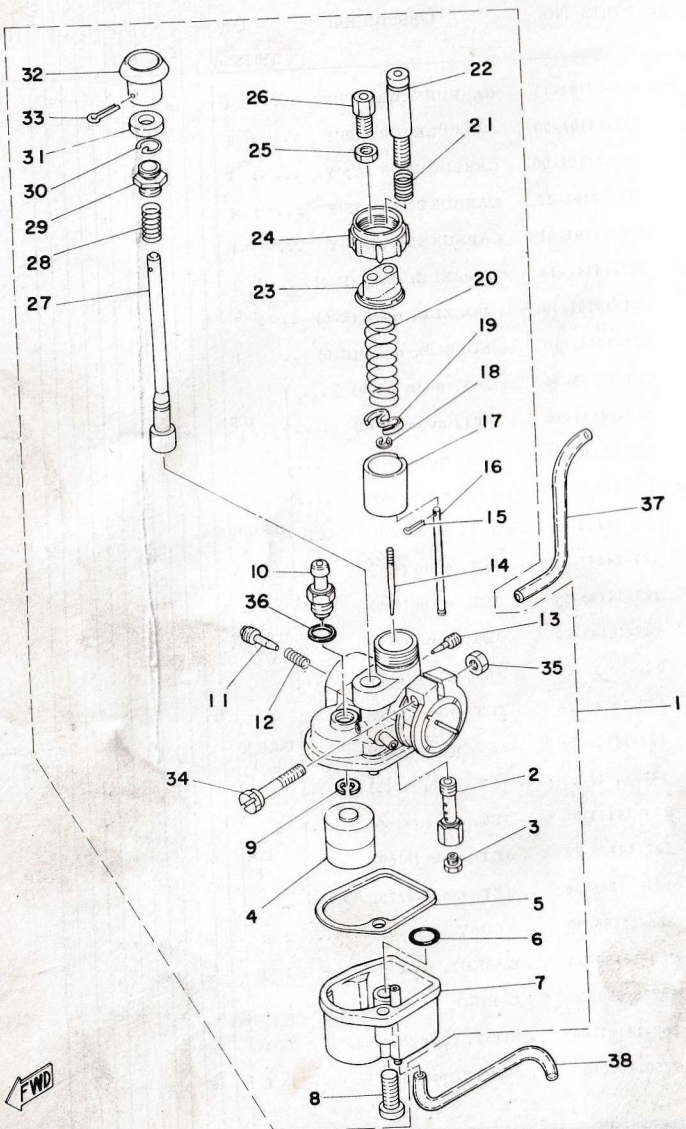
Ref. No.	Parts No.	Description	Q'ty	FSI FSDIX											Remarks		
				FRANCE	HOLLAND	SWITZERLAND	W. GERMANY	BELGIUM	SWEDEN	FINLAND	DENMARK	NORWAY	AUSTRIA	ENGLAND		ITALY	
9-1	257-14401-00-35	AIR CLEANER CASE ASS'Y	1 1			x	x	x	x	x							Silver
9-2	257-14451-00	ELEMENT, air cleaner	1 1			x	x	x	x	x							
9-3	122-14412-00	CAP, cleaner case	2 2			x	x	x	x	x							
9-4	97301-06185	BOLT, hexagon	1 1			x	x	x	x	x							
9-5	95303-06800	NUT, crown	1 1			x	x	x	x	x							
9-6	257-14454-00	JOINT, suction pipe	1 1			x	x	x	x	x							
9-7	257-14453-00	JOINT, air cleaner	1			x											
	283-14453-00	JOINT, air cleaner	1 1							x							
	1Y5-14453-00	JOINT, air cleaner	1 1							x							
9-8	257-14417-00	COVER, joint	1 1			x	x	x	x	x							
9-9	98501-04008	SCREW, panhead	4 4			x	x	x	x	x							
9-10	95821-08100	BOLT, flange	1 1			x	x	x	x	x							
9-11	95821-08080	BOLT, flange	1 1			x	x	x	x	x							
9-12	95701-08100	NUT, flange	2 2			x	x	x	x	x							
9-13	92901-08100	WASHER, spring	2 2			x	x	x	x	x							
9-14	378-13610-61	REED VALVE ASS'Y	1 1														
	474-13610-01	REED VALVE ASS'Y	1 1			x	x										
9-15	314-13616-01	. STOPPER, reed valve	1 1			x	x										
9-16	314-13613-00	. REED, valve	1 1			x	x										
9-17	92901-03100	. WASHER, spring	2 2			x	x										
9-18	98512-03008	. SCREW, panhead	2 2			x	x										
9-19	378-13621-60	PACKING, valve seat	1 1			x	x										
9-20	470-13505-60	JOINT COMP.	1														
	471-13505-60	JOINT COMP.	1 1														
	1Y2-13505-00	JOINT COMP.	1			x											
	1Y5-13505-00	JOINT COMP.	1 1							x							
9-21	92501-06015	SCREW, panhead	6 6			x	x										

Fig. 10 CARBURETOR



Ref. No.	Parts No.	Description	Q'ty	FSI FSIX										Remarks			
				FRANCE	HOLLAND	WEST GERMANY	FINLAND	SWEDEN	RUSSIA	ENGLAND	AUSTRIA	NORWAY	DENMARK		ITALY		
10-1	468-14101-11	CARBURETOR ASS'Y ...	1	x													
	1J5-14101-00	CARBURETOR ASS'Y ...	1 1					x									
	1X5-14101-00	CARBURETOR ASS'Y ...	1 1														
	471-14101-20	CARBURETOR ASS'Y ...	1 1														
	470-14101-01	CARBURETOR ASS'Y ...	1														
	10-2	127-14141-14	. NOZZLE, main (E-4) ..	1 1	x												
		127-14141-16	. NOZZLE, main (E-6) ..	1 1						x							
		127-14141-10	. NOZZLE, main (E-0) ..	1													
10-3	127-14143-34	. JET, main (#170)	} U.R 1 1														
	127-14143-36	. JET, main (#180)		x													STD
	127-14143-38	. JET, main (#190)															
	127-14143-13	. JET, main (#65)															
	127-14143-14	. JET, main (#70)	} U.R.U.R 1 1														STD
	127-14143-15	. JET, main (#75)		x													
	127-14143-19	. JET, main (#95)	} U.R.U.R 1 1														
	127-14143-20	. JET, main (#100)		x													
	127-14143-21	. JET, main (#105)															
	127-14143-21	. JET, main (#105)	} U.R.U.R 1 1														
	127-14143-22	. JET, main (#110)		x													
	127-14143-23	. JET, main (#115)	} U.R 1														
	127-14143-30	. JET, main (#150)															
	127-14143-32	. JET, main (#160)		x													
127-14143-34	. JET, main (#170)																
10-4	355-14185-00	. FLOAT	1 1	x	x	x	x	x	x	x	x	x	x	x	x		
10-5	260-14184-00	. GASKET, float chamber	1 1	x	x	x	x	x	x	x	x	x	x	x	x		
10-6	93220-08002	. O-RING	1 1	x	x	x	x	x	x	x	x	x	x	x	x		
10-7	260-14181-00	. BODY, float chamber ..	1 1	x	x	x	x	x	x	x	x	x	x	x	x		
10-8	92501-06018	. SCREW, panhead	1 1	x	x	x	x	x	x	x	x	x	x	x	x		

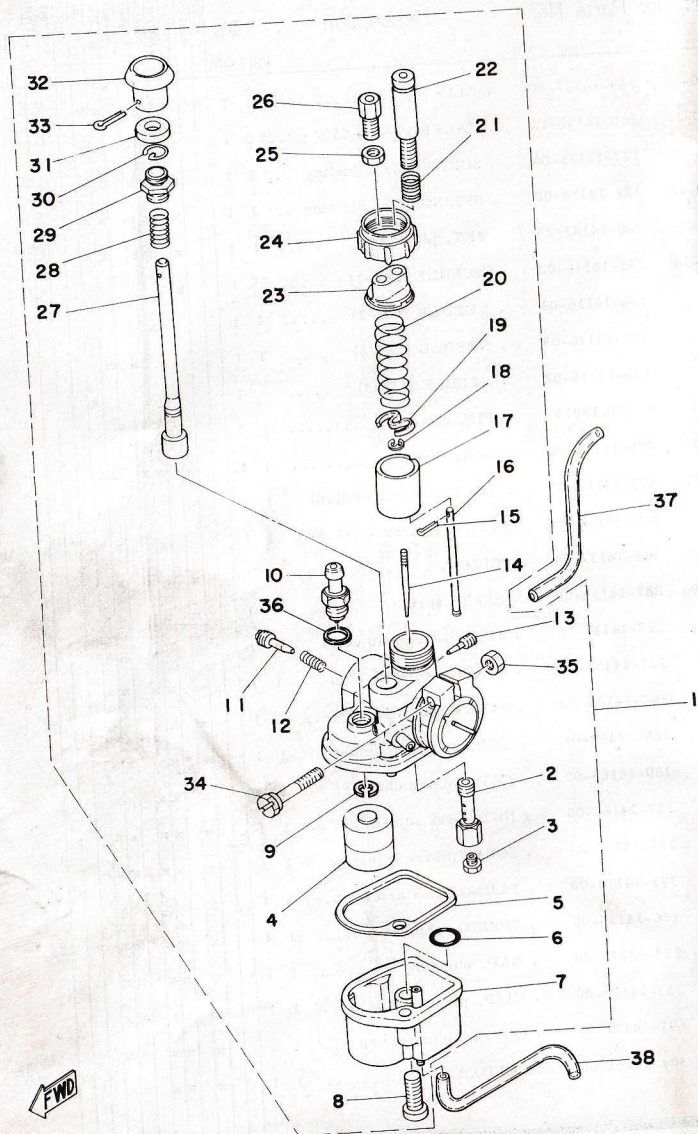
Fig. 10 CARBURETOR



FWD

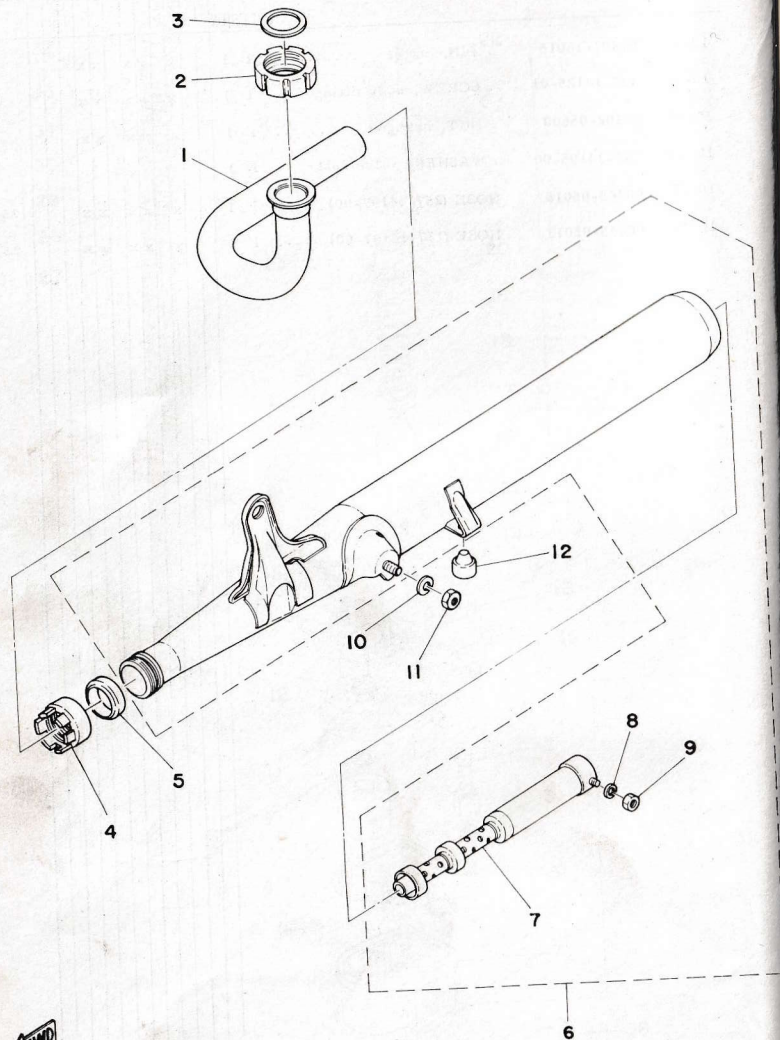
Ref. No.	Parts No.	Description	Q'ty	FSI FSUX										Remarks	
				FRANCE	ENGLAND	SWITZERLAND	W.GERMANY	SWEDEN	FINLAND	GERMANY	NORWAY	AUSTRIA	ITALY		
10-9	363-14137-00	. CLIP	1 1							x			x		
10-10	260-14190-12	. VALVE SEAT ASS'Y (#1.2)	1 1	x		x		x		x			x		
10-11	127-14123-00	. SCREW, air adjusting ..	1 1	x		x		x		x			x		
10-12	127-14134-00	. SPRING, air adjusting ..	1 1	x		x		x		x			x		
10-13	260-14142-25	. JET, pilot (#25)	1 1	x		x		x		x			x		
10-14	353-14116-02	. NEEDLE (3E2-2)	1	x											
	134-14116-03	. NEEDLE (3D3-2)	1 1			x									
	348-14116-03	. NEEDLE (3F3-4)	1 1							x			x		
	118-14116-02	. NEEDLE (3J2-3)	1												x
10-15	91401-12010	. PIN, cotter	1 1	x		x		x		x			x		
10-16	405-14114-00	. BAR, throttle	1 1	x		x		x		x			x		
10-17	470-14112-10	. VALVE, throttle (#1.0)	1 1	x									x		
	283-14112-25	. VALVE, throttle (#2.5)	1 1							x			x		
10-18	127-14137-00	. CLIP	1 1	x		x		x		x			x		
10-19	287-14136-00	. SEAT, spring	1 1	x		x		x		x			x		
10-20	127-14131-00	. SPRING, throttle valve	1 1	x		x		x		x			x		
10-21	127-14133-00	. SPRING, throttle stop	1 1	x		x		x		x			x		
10-22	395-14121-00	. SCREW, throttle	1 1	x		x		x		x			x		
10-23	180-14158-01	. TOP, mixing chamber	1 1	x		x		x		x			x		
10-24	180-14168-00	. CAP, mixing chamber	1 1	x		x		x		x			x		
10-25	127-14161-00	. NUT, wire adjusting ..	1 1	x		x		x		x			x		
10-26	127-14124-23	. SCREW, wire adjusting	1 1	x		x		x		x			x		
10-27	395-14171-00	. PLUNGER, starter	1 1	x		x		x		x			x		
10-28	156-14135-00	. SPRING, plunger	1 1	x		x		x		x			x		
10-29	152-14174-00	. CAP, plunger	1 1	x		x		x		x			x		
10-30	353-14138-00	. CLIP, plunger	1 1	x		x		x		x			x		
10-31	637-14173-00	. COVER, plunger cap ..	1 1	x		x		x		x			x		
10-32	304-14261-00	. HOLDER	1 1	x		x		x		x			x		

Fig. 10 CARBURETOR



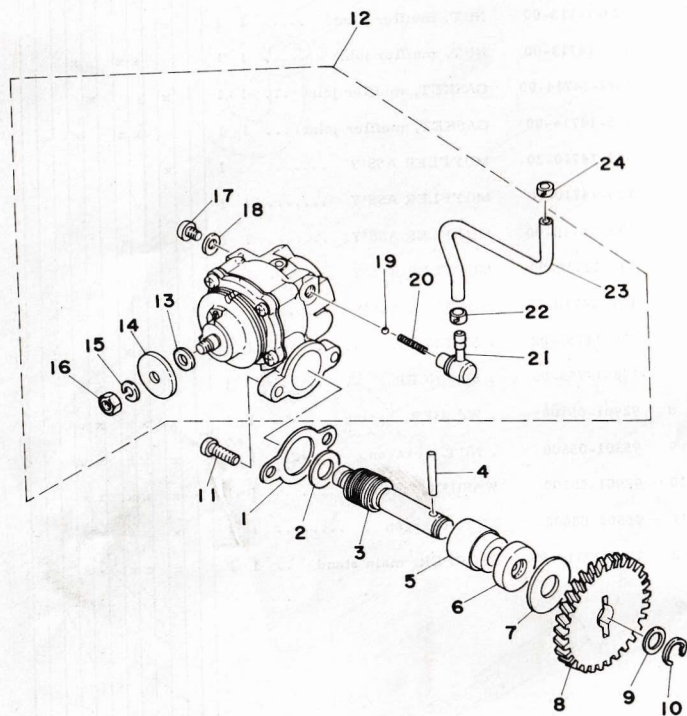
Ref. No.	Parts No.	Description	Q'ty	FSI FSIIX											Remarks
				FRANCE	HOLLAND	SWITZERLAND	W. GERMANY	BELGIUM	SWEDEN	FINLAND	DENMARK	NORWAY	AUSTRIA	ITALY	
10-33	91401-16015	. PIN, cotter	1 1	x	x	x	x	x	x	x	x	x			
10-34	127-14125-01	. SCREW, body fitting	1 1	x	x	x	x	x	x	x	x	x			
10-35	95302-05600	. NUT, hexagon	1 1	x	x	x	x	x	x	x	x	x			
10-36	1X5-14195-00	. WASHER, valve seat	1 1						x						
10-37	90445-05015	HOSE (257-14197-00)	1 1	x	x	x	x	x	x	x	x	x		2.5-200	
10-38	90445-05013	HOSE (137-14197-00)	1 1	x	x	x	x	x	x	x	x	x		2.5-150	

Fig. 11 EXHAUST



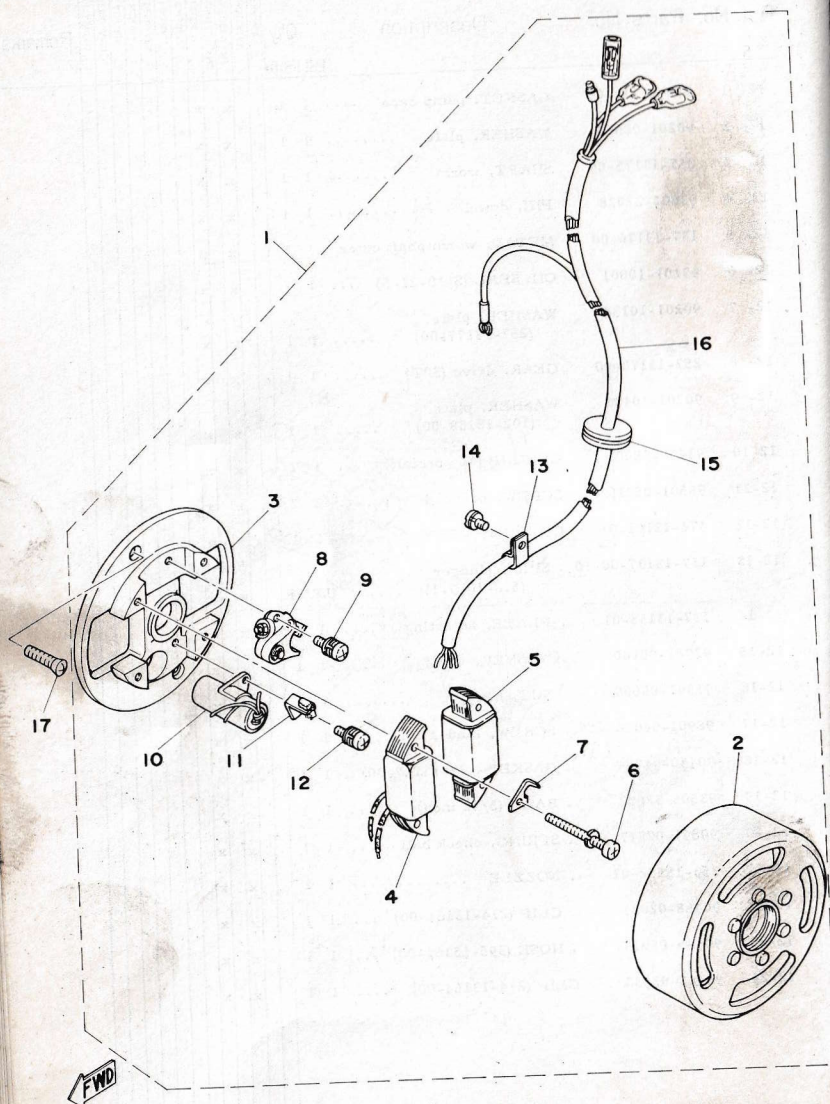
Ref. No.	Parts No.	Description	Q'ty	FSI FSIX											Remarks
				FRANCE	HOLLAND	SWITZERLAND	W. GERMANY	GERMANY	BEIJING	FINLAND	NORWAY	AUSTRIA	ENGLAND	ITALY	
11-1	348-14611-00	PIPE, exhaust	1 1	x	x	x	x	x	x	x	x	x	x		
11-2	122-14612-02	NUT, ring	1 1	x	x	x	x	x	x	x	x	x	x		
11-3	132-14613-00	GASKET, exhaust	1 1	x	x	x	x	x	x	x	x	x	x		
11-4	109-14713-00	NUT, muffler joint	1 1	x					x						
	1J5-14713-00	NUT, muffler joint	1 1							x	x		x		
11-5	1M3-14714-00	GASKET, muffler joint	1 1	x						x					
	1J5-14714-00	GASKET, muffler joint	1 1								x	x		x	
11-6	378-14710-20	MUFFLER ASS'Y	1	x											
	1J5-14710-00	MUFFLER ASS'Y	1 1								x				
	1X5-14710-00	MUFFLER ASS'Y	1 1									x			
	381-14710-00	MUFFLER ASS'Y	1 1										x		
	1Y4-14710-00	MUFFLER ASS'Y	1											x	
11-7	296-14753-02	. SILENCER	1 1	x	x	x									
	348-14753-00	. SILENCER	1 1											x	x
11-8	92901-05100	. WASHER, spring	1 1	x	x	x	x	x	x	x	x	x	x	x	x
11-9	95301-05600	. NUT, hexagon	1 1	x	x	x	x	x	x	x	x	x	x	x	x
11-10	92901-08100	WASHER, spring	1 1	x	x	x	x	x	x	x	x	x	x	x	x
11-11	95301-08600	NUT, hexagon	1 1	x	x	x	x	x	x	x	x	x	x	x	x
11-12	1M3-27114-00	STOPPER, main stand	1 1	x	x	x	x	x	x	x	x	x	x	x	x

Fig. 12 OIL PUMP



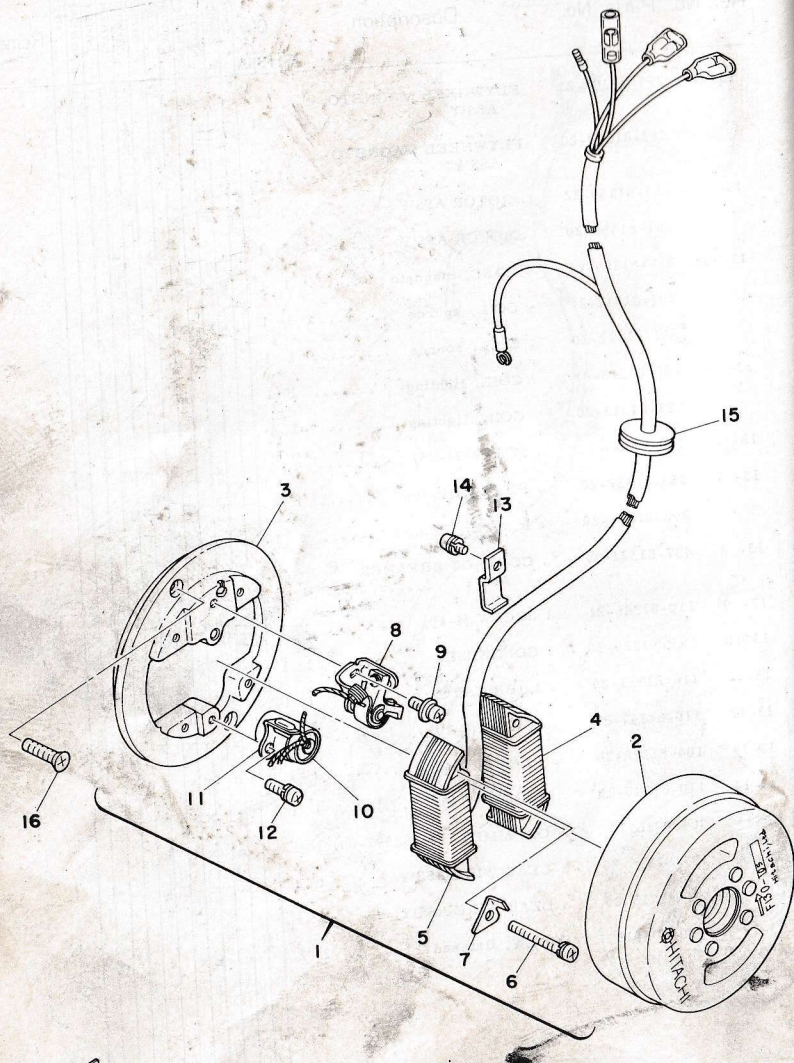
Ref. No.	Parts No.	Description	Q'ty	FSI FSIX											Remarks		
				HOLLAND	FRANCE	GERMANY	SWITZERLAND	BEIGIUM	SWEDEN	FINLAND	DENMARK	NORWAY	AUSTRIA	ITALY			
12- 1	126-13116-00	GASKET, pump case 1 1	x	x												
12- 2	90201-08624	WASHER, plate 1 1	x	x												
12- 3	257-13175-00	SHAFT, worm 1 1	x	x												
12- 4	93603-22028	PIN, dowel 1 1	x	x												
12- 5	137-13176-00	METAL, worm shaft outer	1 1	x	x												
12- 6	93101-10001	OIL SEAL (S-10-21-5)	... 1 1	x	x												
12- 7	90201-10138	WASHER, plate (257-13177-00) 1 1	x	x												
12- 8	257-13178-00	GEAR, drive (30T) 1 1	x	x												
12- 9	90201-10135	WASHER, plate (102-18138-00) 1 1	x	x												
12-10	93430-08006	CIRCLIP (8φ special)	... 1 1	x	x												
12-11	98501-05016	SCREW, panhead 2 2	x	x												
12-12	474-13101-01	OIL PUMP ASS'Y 1 1	x	x												
12-13	137-13137-00-10	. SHIM, plunger (5.8-10-0.1) U.R.U.R	x	x												
12-14	137-13138-01	. PLATE, adjusting 1 1	x	x												
12-15	92901-05100	. WASHER, spring 1 1	x	x												
12-16	95301-05600	. NUT, hexagon 1 1	x	x												
12-17	98901-04008	. SCREW, bind 1 1	x	x												
12-18	90430-04004	. GASKET (137-13187-00)	1 1	x	x												
12-19	93505-32002	. BALL (5/32 inch) 1 1	x	x												
12-20	90501-02217	. SPRING, check ball	... 1 1	x	x												
12-21	353-13552-01	. NOZZLE 1 1	x	x												
12-22	90468-02033	. CLIP (214-13164-00)	... 1 1	x	x												
12-23	90445-05019	. HOSE (395-13161-00)	... 1 1	x	x												
12-24	90468-02033	CLIP (214-13164-00) 1 1	x	x												

Fig. 13 FLYWHEEL MAGNETO 1



Ref. No.	Parts No.	Description	Q'ty	FSI FSIIX											Remarks	
				FRANCE	HOLLAND	SWITZERLAND	W. GERMANY	BELGIUM	FINLAND	DENMARK	NORWAY	AUSTRIA	ENGLAND	ITALY		
11-1	257-81300-23	FLYWHEEL MAGNETO ASS'Y	1 1	x	x							x				
	381-81300-20	FLYWHEEL MAGNETO ASS'Y	1 1								x					
11-2	257-81350-22	. ROTOR ASS'Y	1 1	x	x							x				
	381-81350-20	. ROTOR ASS'Y	1 1								x					
11-3	257-81309-21	. BASE, magneto	1 1	x	x	x						x				
	207-81312-21	. COIL, source	1 1	x							x					
11-4	381-81312-20	. COIL, source	1 1								x					
	207-81313-21	. COIL, lighting	1 1	x	x							x				
11-5	381-81313-20	. COIL, lighting	1 1								x					
	110-81348-21	. SCREW (4-25)	4 4	x	x	x					x					
11-7	353-81332-20	. PLATE, timing	1 1	x	x							x				
	296-81332-20	. PLATE, timing	1 1								x					
11-8	437-81321-20	. CONTACT BREAKER ASS'Y	1 1	x	x	x					x					
11-9	110-81346-21	. SCREW (4-10)	1 1	x	x	x					x					
11-10	1K8-81325-20	. CONDENSER	1 1	x	x	x					x					
11-11	116-81331-20	. LUBRICATOR	1 1	x	x	x					x					
11-12	110-81347-21	. SCREW (4-10)	1 1	x	x	x					x					
11-13	104-81328-20	. CLAMP, lead	1 1	x	x	x					x					
11-14	110-81345-21	. SCREW (4-6)	1 1	x	x	x					x					
11-15	90480-16110	. GROMMET (164-82597-00)	1 1	x	x	x					x					
11-16	257-81315-20	. LEAD WIRE ASS'Y ...	1 1	x	x							x				
	381-81315-20	. LEAD WIRE ASS'Y ...	1 1									x				
11-17	98701-05015	SCREW, flathead	2 2	x	x	x					x					

Fig. 14 FLYWHEEL MAGNETO 2

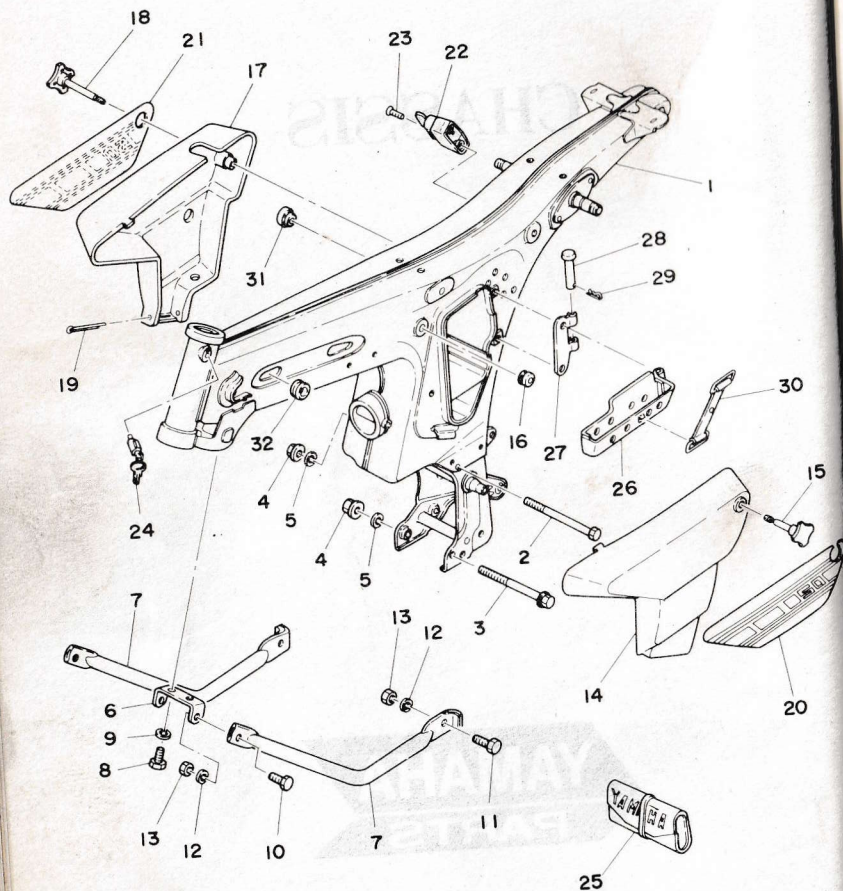


Ref. No.	Parts No.	Description	Q'ty	FSI FSIX											Remarks	
				FRANCE	HOLLAND	W. GERMANY	SWITZERLAND	FINLAND	SWEDEN	BELGIUM	DENMARK	NORWAY	AUSTRIA	ENGLAND		ITALY
14-1	355-81300-11	FLYWHEEL MAGNETO ASS'Y	1													x
14-2	355-81350-10	. ROTOR ASS'Y	1													x
14-3	296-81309-10	. BASE, magneto	1													x
14-4	368-81311-10	. COIL, source	1													x
14-5	355-81313-11	. COIL, lighting	1													x
14-6	110-81348-21	. SCREW (4-25)	4													x
14-7	296-81332-10	. PLATE, timing	1													x
14-8	207-81321-10	. CONTACT BREAKER ASS'Y	1													x
14-9	110-81346-21	. SCREW (4-10)	1													x
14-10	207-81326-10	. CONDENSER	1													x
14-11	207-81331-10	. LUBRICATOR	1													x
14-12	110-81347-21	. SCREW (4-10)	1													x
14-13	109-81328-11	. CLAMP, lead	1													x
14-14	110-81345-21	. SCREW (4-6)	1													x
14-15	90480-16110	. GROMMET (164-82597-00)	1													x
14-16	98701-05015	SCREW, flathead	2													x

CHASSIS

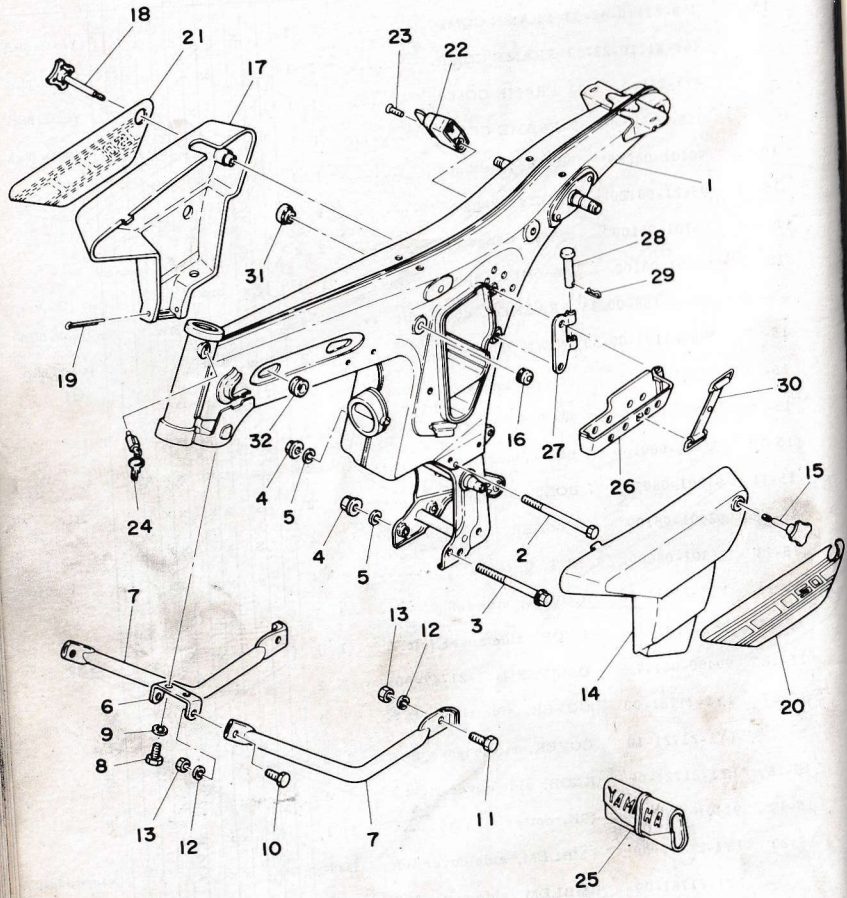
YAMAHA
PARTS

Fig. 15 FRAME · SIDE COVER



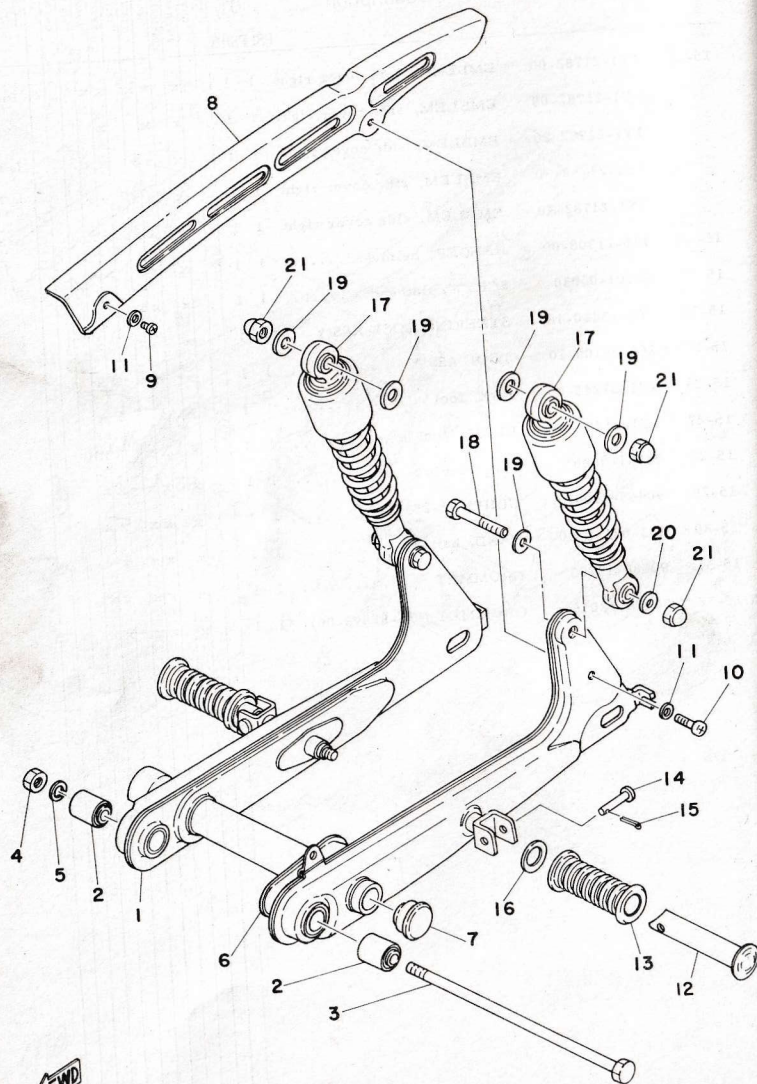
Ref. No.	Parts No.	Description	Q'ty	FSI FSIIX											Remarks		
				FRANCE	HOLLAND	GERMANY	SWITZERLAND	BELGIUM	SPAIN	FINLAND	DENMARK	NORWAY	AUSTRIA	ENGLAND		ITALY	
15-1	468-21110-42-33	FRAME COMP.	1		X												Yamaha Black
	469-21110-22-33	FRAME COMP.	1 1							X							Yamaha Black
	473-21110-02-33	FRAME COMP.	1 1								X		X				Yamaha Black
	355-21110-03-33	FRAME COMP.	1 1									X					Yamaha Black
15-2	90101-08285	BOLT, hexagon	1 1		X	X	X	X	X	X	X	X	X	X	X	X	Yamaha Black
15-3	95821-08120	BOLT, flange	1 1		X	X	X	X	X	X	X	X	X	X	X	X	Yamaha Black
15-4	95701-08100	NUT, flange	2 2		X	X	X	X	X	X	X	X	X	X	X	X	
15-5	92901-08100	WASHER, spring	1 1		X	X	X	X	X	X	X	X	X	X	X	X	
15-6	596-21158-00-33	BRACKET, down tube ..	1		X	X	X	X	X	X	X	X	X	X	X	X	Yamaha Black
15-7	596-21191-00-33	DOWN TUBE	2		X	X	X	X	X	X	X	X	X	X	X	X	Yamaha Black
15-8	97301-06014	BOLT, hexagon	2		X	X	X	X	X	X	X	X	X	X	X	X	
15-9	92901-06100	WASHER, spring	2		X	X	X	X	X	X	X	X	X	X	X	X	
15-10	97301-08016	BOLT, hexagon	2		X	X	X	X	X	X	X	X	X	X	X	X	
15-11	97301-08030	BOLT, hexagon	2		X	X	X	X	X	X	X	X	X	X	X	X	
15-12	92901-08100	WASHER, spring	4		X	X	X	X	X	X	X	X	X	X	X	X	
15-13	95301-08600	NUT, hexagon	4		X	X	X	X	X	X	X	X	X	X	X	X	
15-14	1Y1-21711-00	COVER, side left	1 1		X	X	X	X	X	X	X	X	X	X	X	X	
15-15	1Y1-21714-00	KNOB, side cover left	1 1		X	X	X	X	X	X	X	X	X	X	X	X	
15-16	90480-01141	DAMPER (371-21747-00)	2 2		X	X	X	X	X	X	X	X	X	X	X	X	
15-17	1Y1-21721-00	COVER, side right	1 1							X	X	X	X	X	X	X	
	1Y1-21721-10	COVER, side right	1 1		X	X											
15-18	1Y1-21724-00	KNOB, side cover right	1 1		X	X	X	X	X	X	X	X	X	X	X	X	
15-19	91401-50085	PIN, cotter	1 1		X	X	X	X	X	X	X	X	X	X	X	X	
15-20	1Y1-21781-00	EMBLEM, side cover left	1 1		X	X	X	X	X	X	X	X	X	X	X	X	for Crystal Silver
	1Y1-21781-09	EMBLEM, side cover left	1 1		X	X	X	X	X	X	X	X	X	X	X	X	for Chrom Plated
	1Y1-21781-20	EMBLEM, side cover left	1 1		X	X	X	X	X	X	X	X	X	X	X	X	for Chappy Red
	1Y1-21781-30	EMBLEM, side cover left	1 1		X	X	X	X	X	X	X	X	X	X	X	X	for New Portuguese Orange
	1Y1-21781-40	EMBLEM, side cover left	1 1		X	X	X	X	X	X	X	X	X	X	X	X	for Space Blue

Fig. 15 FRAME · SIDE COVER



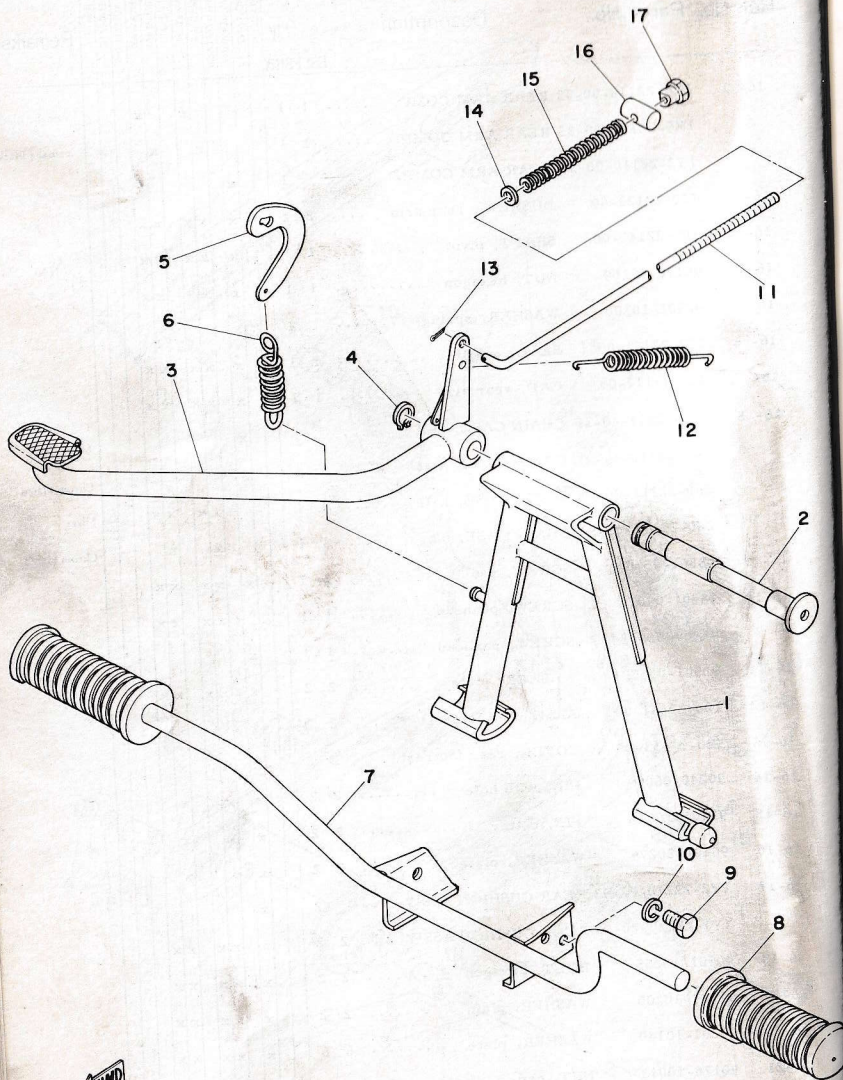
Ref. No.	Parts No.	Description	Q'ty	FSI FSDIX										Remarks	
				FRANCE	HOLLAND	SWITZERLAND	WEST GERMANY	BELGIUM	SWEDEN	FINLAND	DENMARK	NORWAY	AUSTRIA		ENGLAND
18-21	1Y1-21782-00	EMBLEM, side cover right	1 1	x	x	x	x	x	x	x	x	x	x	x	for Crystal Silver
	1Y1-21782-09	EMBLEM, side cover right	1 1	x	x										for Chrom Plated
	1Y1-21782-20	EMBLEM, side cover right	1 1	x	x	x									for Chappy Red
	1Y1-21782-30	EMBLEM, side cover right	1 1	x	x	x									for New Portuguese Orange
	1Y1-21782-40	EMBLEM, side cover right	1 1	x	x	x									for Space Blue
18-22	1J5-21308-00	HANGER, helmet	1 1	x	x	x									
18-23	92701-06030	SCREW, flathead	1 1	x	x	x									
18-24	169-23480-10	STEERING LOCK ASS'Y	1 1	x			x								*
18-25	260-28100-10	TOOL ASS'Y	1 1	x	x	x									
18-26	1Y1-21245-00	BOX, tool	1 1	x	x	x									
18-27	1Y1-21286-00	HINGE, tool box	1 1	x	x	x									
18-28	91701-06065	PIN, clevis	1 1	x	x	x									
18-29	90468-12007	CLIP (102-25375-00)	1 1	x	x	x									
18-30	133-82131-00	BAND, battery	1 1	x	x	x									
18-31	90480-13203	GROMMET	1 1	x	x	x									
18-32	90480-13016	GROMMET (136-82598-00)	1 1	x	x	x									

Fig. 16 REAR ARM · REAR CUSHION · CHAIN CASE



Ref. No.	Parts No.	Description	Q'ty	FSI FSIDX											Remarks	
				FRANCE	GERMANY	SWITZERLAND	NETHERLANDS	SPAIN	FINLAND	SWEDEN	DENMARK	INDONESIA	THAILAND	INDIA		ITALY
16-1	1X6-22110-00-33	REAR ARM COMP.	1 1										X	X		Yamaha Black
	1X9-22110-00-33	REAR ARM COMP.	1 1										X	X		Yamaha Black
	1Y2-22110-00-33	REAR ARM COMP.	1										X			
16-2	102-22123-00	BUSHING, rear arm	2 2			X	X	X	X	X						
16-3	109-22141-00	SHAFT, pivot	1 1			X	X	X	X	X						
16-4	90170-10159	NUT, hexagon	1 1			X	X	X	X	X						
16-5	92901-10100	WASHER, spring	1			X										
16-6	122-22151-00	SEAL, guard	1 1			X	X	X	X	X						
16-7	180-22117-00	CAP, rear arm	1 1			X	X	X	X	X						
16-8	468-22311-40-35	CHAIN CASE, half	1			X										Silver
	468-22311-40-93	CHAIN CASE, half	1			X										Chrom Plated
	260-22311-00-35	CHAIN CASE, half	1 1			X	X	X	X	X						Silver
	260-22311-00-93	CHAIN CASE, half	1 1			X				X						Chrom Plated
16-9	98501-05008	SCREW, panhead	1 1			X	X	X	X	X						
16-10	98501-05016	SCREW, panhead	1 1							X	X					
	98501-05015	SCREW, panhead	1 1							X						
	92901-05600	WASHER, plate	2 2			X	X	X	X	X						
16-12	120-27431-00	ARM, rear footrest	2 2			X	X		X							
16-13	120-27433-00	COVER, rear footrest	2 2			X	X		X							
16-14	90240-06009	PIN, with hole	2 2			X	X		X							
16-15	91401-16015	PIN, cotter	2 2			X	X		X							
16-16	90201-20279	WASHER, plate	2 2			X	X		X							
16-17	1Y2-22210-20-93	REAR CUSHION ASS'Y	2			X										
	1Y1-22210-20-93	REAR CUSHION ASS'Y	2 2							X	X					
16-18	90101-10255	BOLT, hexagon	2 2			X	X	X	X	X						
16-19	92901-10200	WASHER, plain	2 2			X	X	X	X	X						
16-20	90201-10140	WASHER, plate	6 6			X	X	X	X	X						
16-21	90176-10013	NUT, cap	4 4			X	X	X	X	X						

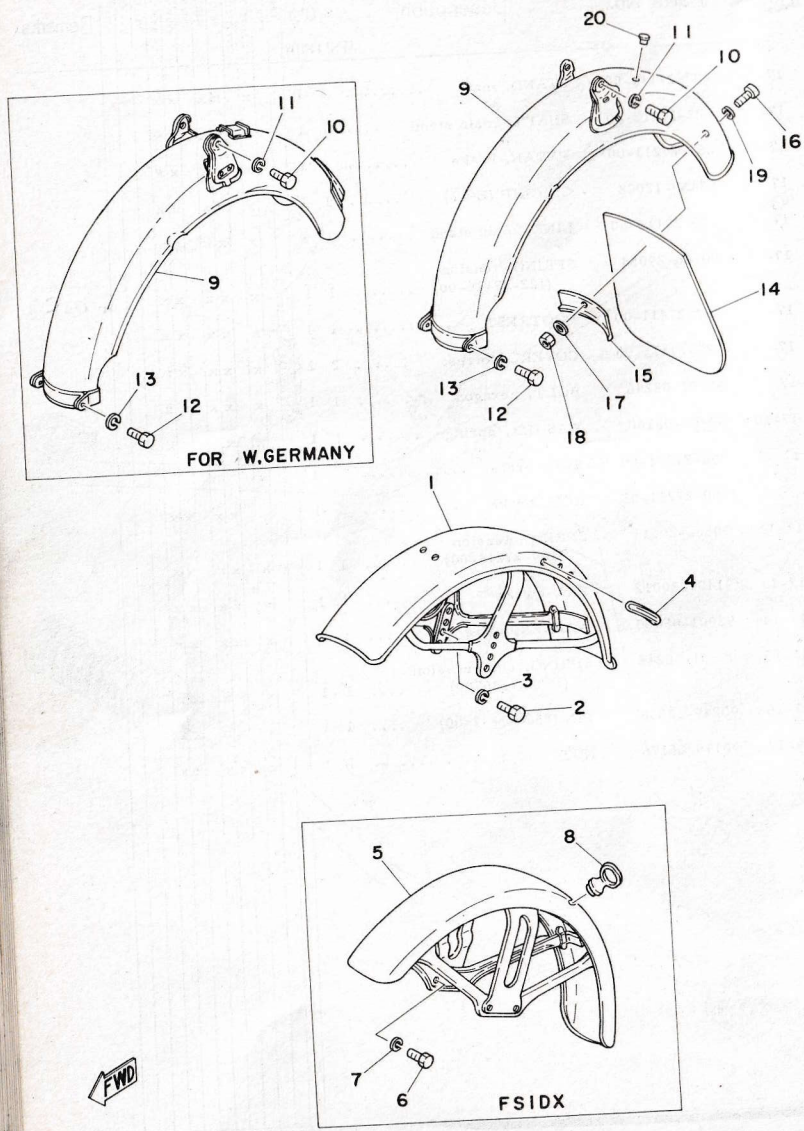
Fig. 17 STAND · FOOTREST · BRAKE PEDAL



Ref. No.	Parts No.	Description	Q'ty	FSI FSI DX											Remarks	
				FRANCE	HOLLAND	GERMANY	SWITZERLAND	SPAIN	NETHERLANDS	ITALY	UNITED KINGDOM	IRELAND	AUSTRIA	SCOTLAND		
17-1	207-27111-00	STAND, main	1 1													
17-2	122-27112-00	SHAFT, main stand	1 1													
17-3	257-27211-00-91	PEDAL, brake	1 1													
17-4	93430-12008	CIRCLIP (E-12)	1 1													
17-5	109-27115-00	LINK, main stand	1 1													
17-6	90506-29054	SPRING, tension (122-27116-00)	1 1													+ mc
17-7	260-27411-00	FOOTREST	1 1													
17-8	122-27413-00	COVER, footrest	2 2													
17-9	90101-08246	BOLT, hexagon	1 1													
17-10	92901-08100	WASHER, spring	1 1													
17-11	296-27231-00	ROD, brake	1													
	180-27231-01	ROD, brake	1 1													
17-12	90506-20041	SPRING, tension (109-27216-00)	1 1													
17-13	91401-20012	PIN, cotter	1 1													
17-14	92901-06600	WASHER, plate	1 1													
17-15	90501-10245	SPRING, compression (180-27236-00)	1 1													
17-16	90249-12008	PIN (156-27237-00)	1 1													
17-17	90179-06176	NUT	1 1													

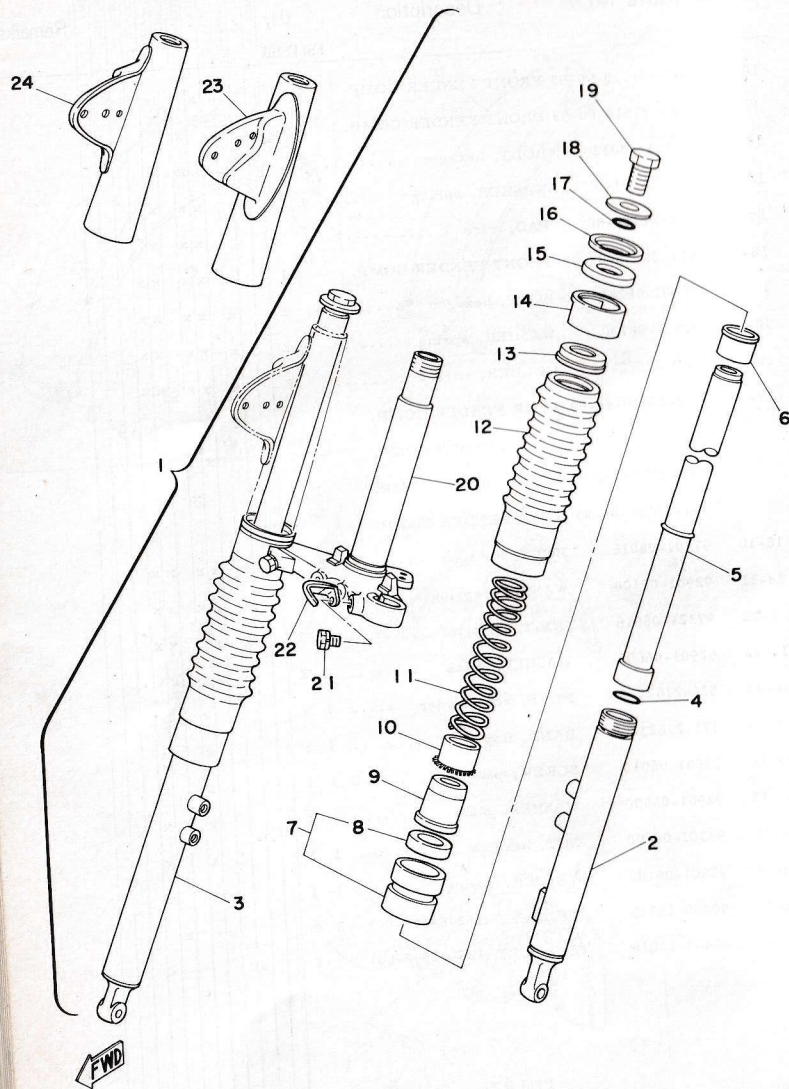
FWD

Fig. 18 FRONT FENDER · REAR FENDER



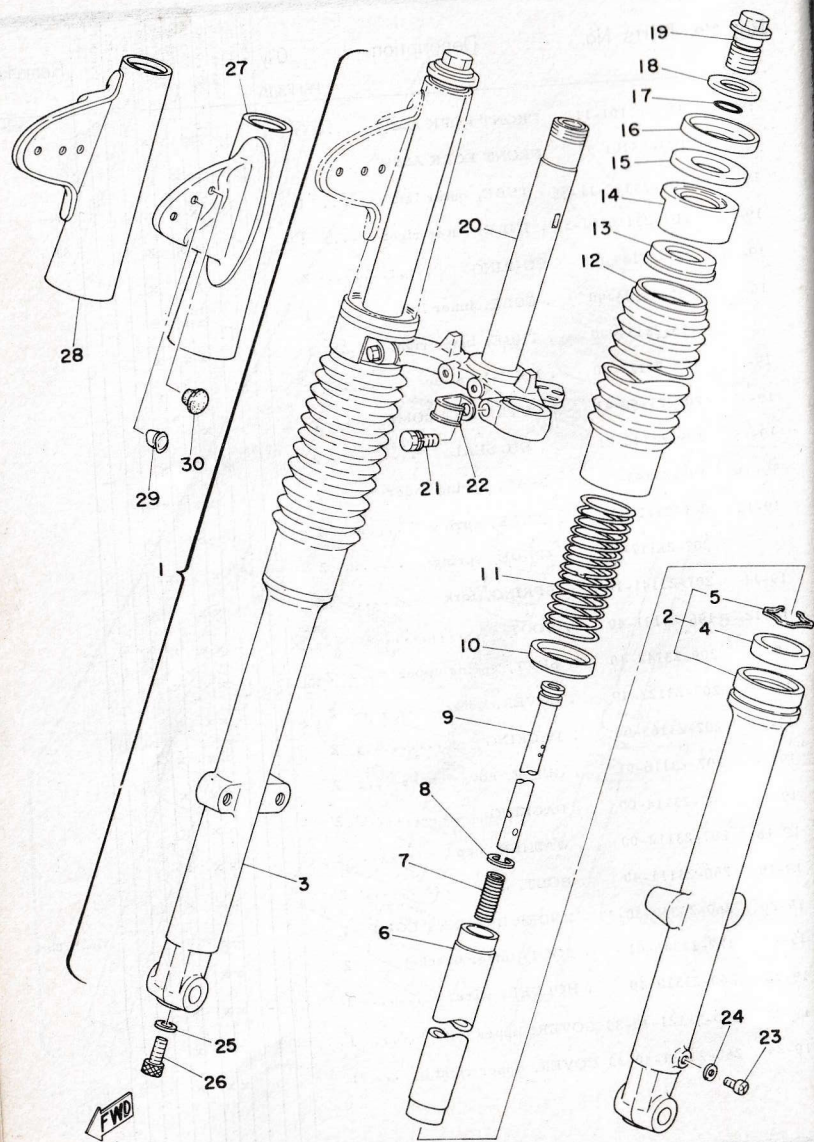
Ref. No.	Parts No.	Description	Q'ty											Remarks			
				FRANCE	HOLLAND	WEST GERMANY	FRANCE	WEST GERMANY	FRANCE	WEST GERMANY	FRANCE	WEST GERMANY	FRANCE		WEST GERMANY		
				FSI FSIDX													
10-1	1U1-21510-00-93	FRONT FENDER COMP.	1														
	1X5-21510-00-93	FRONT FENDER COMP.	1														
10-2	97301-08012	BOLT, hexagon	4														
10-3	92901-08100	WASHER, spring	4														
10-4	122-21517-00	PAD, wire	1														
10-5	481-21510-02-93	FRONT FENDER COMP.	1	x													
10-6	90101-08281	BOLT, hexagon	2	x													
10-7	92901-08100	WASHER, spring	2	x													
10-8	1A0-21518-00	HOLDER, wire	2	x													
10-9	468-21610-42-93	REAR FENDER COMP.	1	x													
	1X9-21610-00-93	REAR FENDER COMP.	1 1														
	1X6-21610-00-93	REAR FENDER COMP.	1 1														
	471-21610-00-93	REAR FENDER COMP.	1														
10-10	97301-08016	BOLT, hexagon	2 2	x	x												
10-11	92901-08100	WASHER, spring	2 2	x	x												
10-12	97321-06016	BOLT, hexagon	2 2	x	x	x											
10-13	92901-06600	WASHER, plate	2 2	x	x	x											
10-14	526-21621-01	FLAP, rear fender	1 1														
10-15	471-21623-00	BAND, flap	1 1														
10-16	92501-06015	SCREW, panhead	1 1														
10-17	92901-06600	WASHER, plate	1 1														
10-18	95301-06600	NUT, hexagon	1 1														
10-19	92901-06100	WASHER, spring	1 1														
10-20	90480-12013	GROMMET (152-84518-00)	2 2														
	90480-13016	GROMMET (136-82598-00)	2	x													

Fig. 19 FRONT FORK (FS1)



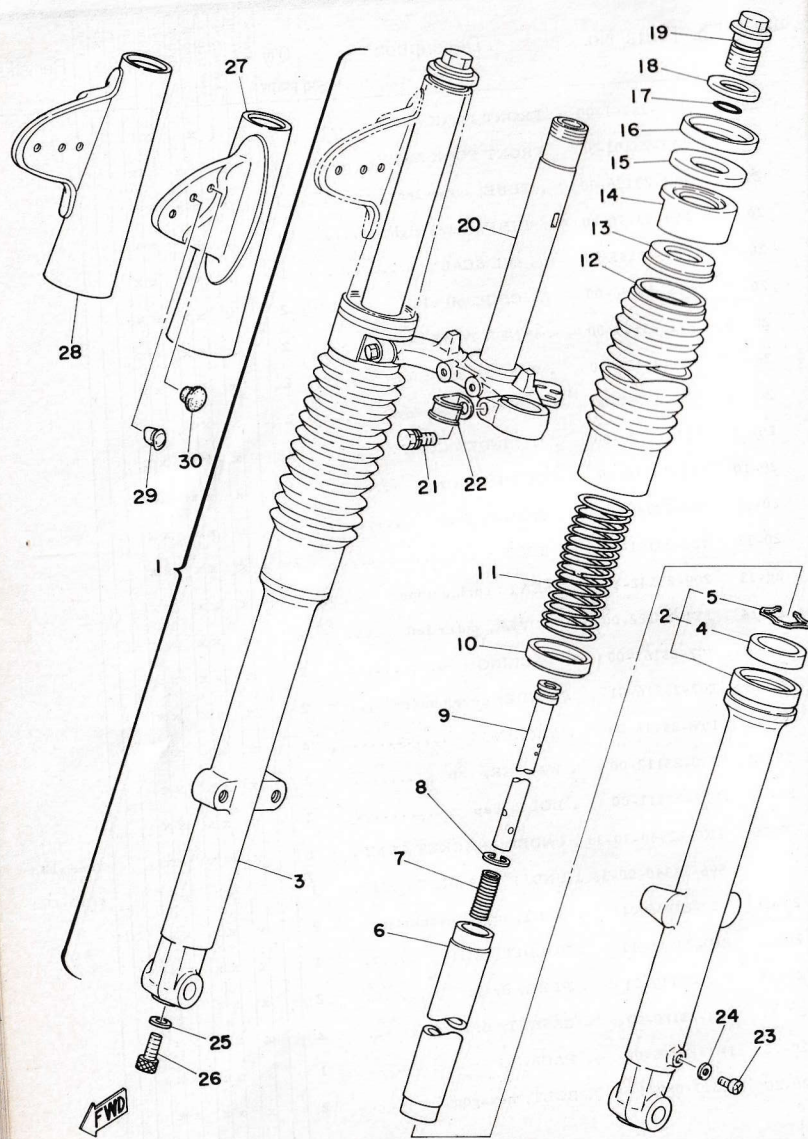
Ref. No.	Parts No.	Description	Q'ty	FS1 FS1DX											Remarks
				FRANCE	HOLLAND	WEST GERMANY	SWITZERLAND	BELGIUM	SWEDEN	FINLAND	DENMARK	NORWAY	AUSTRIA	ENGLAND	
19- 1	1U1-23101-11	FRONT FORK ASS'Y 1									x	x		
	1U1-23101-31	FRONT FORK ASS'Y 1											x	
19- 2	1U1-23126-11-35	. TUBE, outer left 1									x	x	x	
19- 3	1U1-23136-11-35	. TUBE, outer right 1									x	x	x	
19- 4	207-23147-00	. O-RING 2									x	x	x	
19- 5	355-23124-90	. TUBE, inner left 1									x	x	x	
	355-23134-90	. TUBE, inner right 1									x	x	x	
19- 6	109-23125-00	. METAL, slide 2									x	x	x	
19- 7	209-23150-41	. OUTER NUT COMP.	.. 2									x	x	x	
19- 8	109-23145-01	. OIL SEAL 2									x	x	x	
19- 9	109-23143-00	. SEAT, spring under	... 2									x	x	x	
19-10	207-23117-00	. GUIDE, spring 4									x		x	
	207-23117-00	. GUIDE, spring 2									x			
19-11	207-23141-10	. SPRING, fork 2									x	x	x	
19-12	196-23191-40	. BOOT 2									x	x	x	
19-13	209-23142-40	. SEAT, spring upper	... 2									x	x	x	
19-14	209-23122-40	. COVER, outer 2									x	x	x	
19-15	207-23163-00	. PACKING 2									x	x	x	
19-16	207-23116-01	. GUIDE, cover under	... 2									x	x	x	
19-17	307-23114-00	. PACKING 2									x	x	x	
19-18	207-23112-00	. WASHER, cap 2									x	x	x	
19-19	260-23111-40	. BOLT, cap 2									x	x	x	
19-20	260-23340-30-33	. UNDER BRACKET COMP.	1									x	x	x	Yamaha Black
19-21	122-23346-01	. BOLT, under bracket	2									x	x	x	
19-22	260-23318-40	. HOLDER, wire 1									x	x	x	
19-23	260-23121-40-33	COVER, upper left 1									x	x	x	
19-24	260-23131-40-33	COVER, upper right	... 1									x	x	x	

Fig. 20 FRONT FORK (FS1-DX)



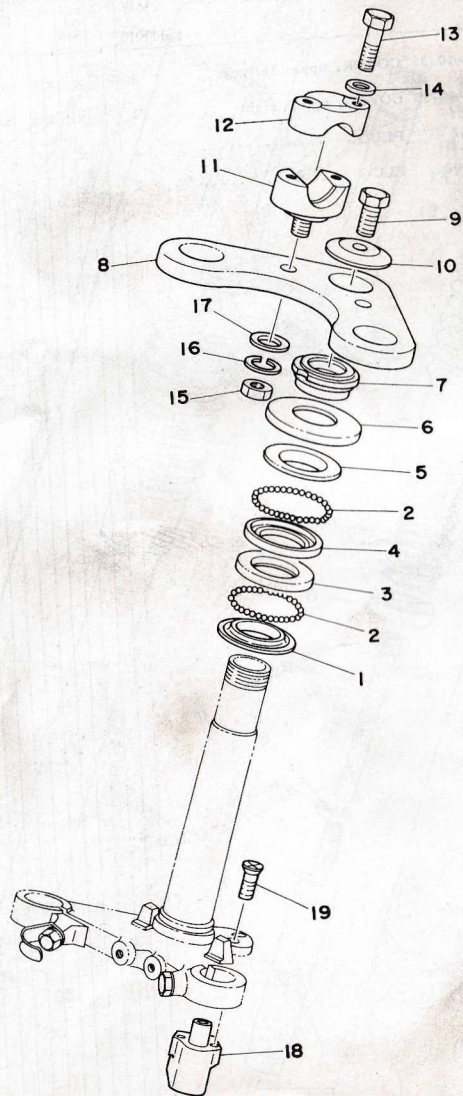
Ref. No.	Parts No.	Description	Q'ty	FS1 FS1DX											Remarks		
				FRANCE	HOLLAND	SWITZERLAND	SWEDEN	FINLAND	DENMARK	NORWAY	AUSTRIA	ENGLAND	ITALY				
20-1	1Y1-23101-00	FRONT FORK ASS'Y	1				x										
	1Y2-23101-30	FRONT FORK ASS'Y	1	x			x										
20-2	1Y1-23126-00	. TUBE, outer left	1	x		x	x		x	x							
20-3	1Y1-23136-00	. TUBE, outer right	1	x		x	x		x	x							
20-4	1T8-23145-00	. . OIL SEAL	2	x		x	x		x	x							
20-5	1T8-23156-00	. . CLIP, oil seal	2	x		x	x		x	x							
20-6	1Y1-23134-00	. INNER TUBE COMP.	2	x		x	x		x	x							
20-7	1Y1-23152-00	. SPRING, front fork	2	x		x	x		x	x							
20-8	1Y1-23157-00	. PISTON, front fork	2	x		x	x		x	x							
20-9	1Y1-23170-00	. CYLINDER COMP.	2	x		x	x		x	x							
20-10	596-23117-00	. GUIDE, spring	2	x		x	x		x	x							
20-11	596-23141-00	. SPRING, fork	2	x		x	x		x	x							
20-12	428-23191-00	. BOOT	2	x		x	x		x	x							
20-13	209-23142-40	. SEAT, spring upper	2	x		x	x		x	x							
20-14	1Y1-23122-00	. COVER, outer left	2	x		x	x		x	x							
20-15	207-23163-00	. PACKING	2	x		x	x		x	x							
20-16	207-23116-01	. GUIDE, cover under	2	x		x	x		x	x							
20-17	1T8-23114-00	. PACKING	2	x		x	x		x	x							
20-18	1T8-23112-00	. WASHER, cap	2	x		x	x		x	x							
20-19	1T8-23111-00	. BOLT, cap	2	x		x	x		x	x							
20-20	1K0-23340-30-33	. UNDER BRACKET COMP.	1	x			x			x							Yamaha Black
	596-23340-00-33	. UNDER BRACKET COMP.	1				x			x							Yamaha Black
20-21	122-23346-01	. BOLT, under bracket	2	x		x	x		x	x							
20-22	260-23318-40	. HOLDER, wire	1	x		x	x		x	x							
20-23	122-23119-01	. PLUG, drain	2	x		x	x		x	x							
20-24	122-23129-00	. GASKET, drain plug	2	x		x	x		x	x							
20-25	1N1-23158-00	. PACKING	1	x		x	x		x	x							
20-26	91311-08025	. BOLT, hexagon	2	x		x	x		x	x							

Fig. 20 FRONT FORK (FS1-DX)



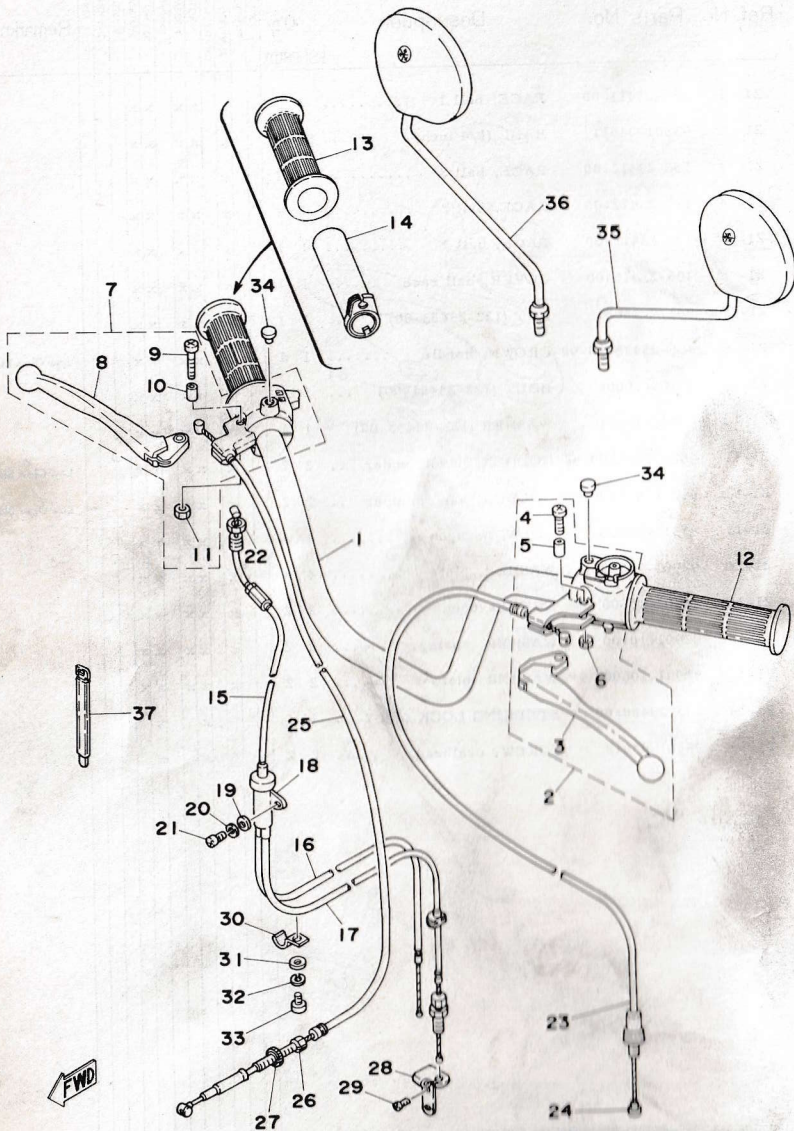
Ref. No.	Parts No.	Description	Q'ty	FS1 FS1DX											Remarks							
				FRANCE	HOLLAND	WEST GERMANY	SWITZERLAND	SWEDEN	FINLAND	DENMARK	AUSTRIA	NETHERLANDS	FRANCE	HOLLAND		WEST GERMANY	SWITZERLAND	SWEDEN	FINLAND	DENMARK	AUSTRIA	NETHERLANDS
20-27	260-23121-40-33	COVER, upper left ...	1		x	x	x	x	x													Yamaha Black
20-28	260-23131-40-33	COVER, upper right ..	1		x	x	x	x	x													Yamaha Black
20-29	90338-06062	PLUG	2			x																
20-30	101-21279-00	PLUG	2		x																	

Fig. 21 STEERING



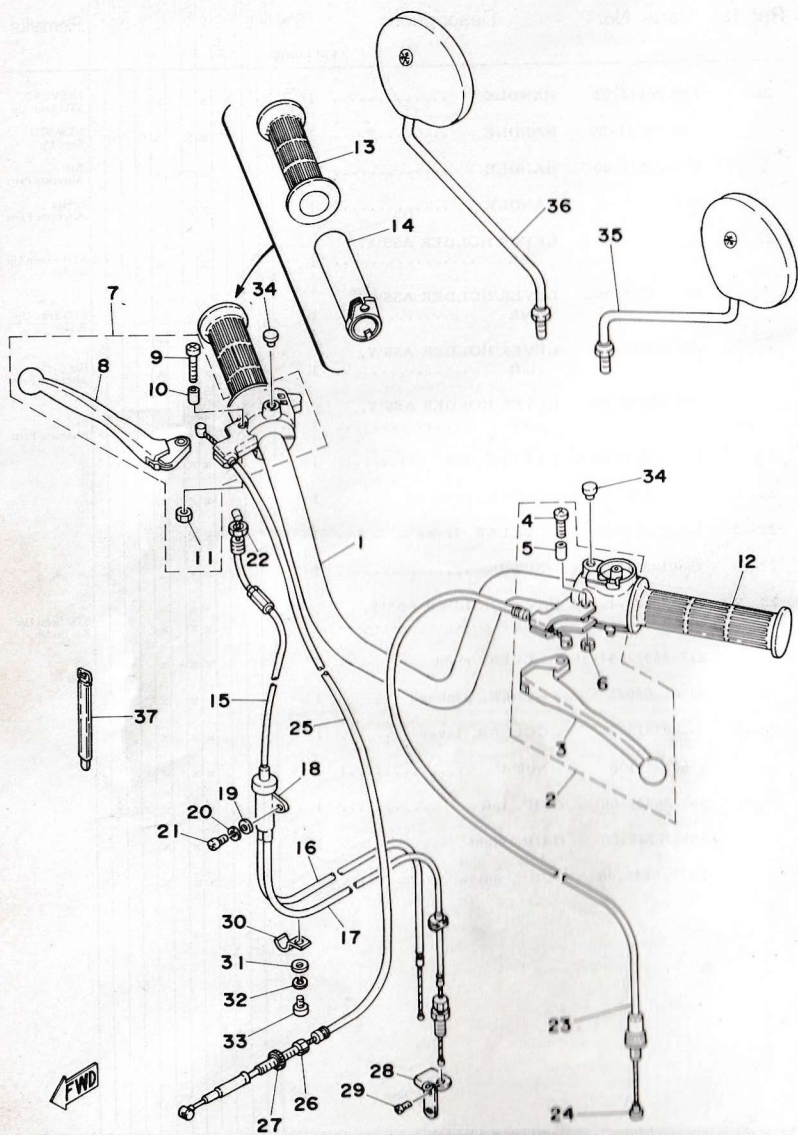
Ref. No.	Parts No.	Description	Q'ty	FSI FSIX											Remarks	
				FRANCE	HOLLAND	W. GERMANY	SWITZERLAND	BELGIUM	SWEDEN	FINLAND	DENMARK	NORWAY	AUSTRIA	ENGLAND		ITALY
21- 1	156-23411-00	RACE, ball 1	1 1			x	x	x	x							
21- 2	93501-04011	BALL (1/4 inch)	38 38			x	x	x	x							
21- 3	156-23412-00	RACE, ball 2	1 1			x	x	x	x							
21- 4	183-23412-00	RACE, ball 2	1 1			x	x	x	x							
21- 5	183-23411-00	RACE, ball 1	1 1			x	x	x	x							
21- 6	136-23415-00	COVER, ball race	1 1			x	x	x	x							
21- 7	90179-25051	NUT (122-23453-00)	1 1			x	x	x	x							
21- 8	185-23435-00-98	CROWN, handle	1 1			x	x	x	x							Low Gloss Black
21- 9	90105-10006	BOLT (122-23451-00)	1 1			x	x	x	x							
21-10	90209-10021	WASHER (122-23443-00)	1 1			x	x	x	x							
21-11	462-23442-00-98	HOLDER, handle under	2 2			x	x	x	x							Low Gloss Black
21-12	462-23441-00-98	HOLDER, handle upper	2 2			x	x	x	x							Low Gloss Black
21-13	97314-06035	BOLT, hexagon	4 4			x	x	x	x							
21-14	92901-06600	WASHER, plate	4 4			x	x	x	x							
21-15	95301-10600	NUT, hexagon	2 2			x	x	x	x							
21-16	92901-10100	WASHER, spring	2 2			x	x	x	x							
21-17	92901-10600	WASHER, plate	2 2			x	x	x	x							
21-18	175-23480-00	STEERING LOCK ASS'Y	1 1							x						
21-19	98601-05012	SCREW, ovalhead	2 2							x						

Fig. 22 HANDLE · WIRE (FS1)



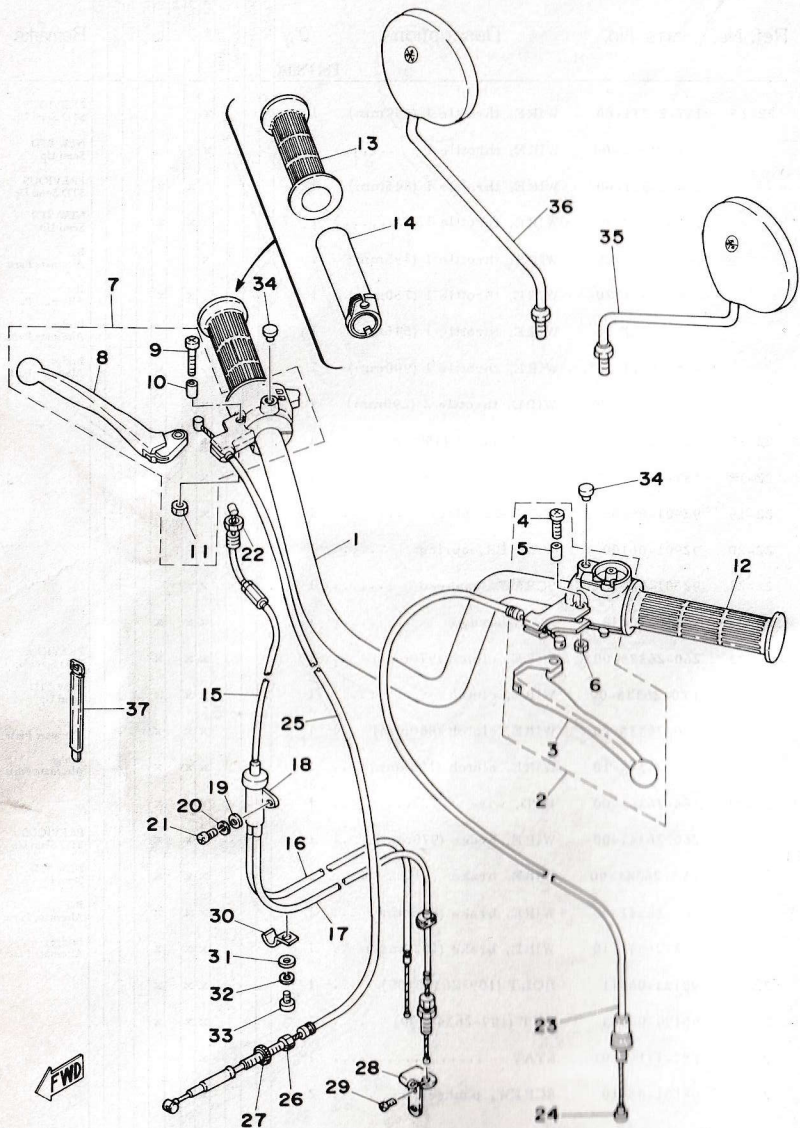
Ref. No.	Parts No.	Description	Q'ty	FS1 FS1DX											Remarks		
				FRANCE	HOLLAND	SWITZERLAND	W. GERMANY	BRITAIN	SWEDEN	FINLAND	DENMARK	NORWAY	AUSTRIA	ENGLAND		ITALY	
22- 1	132-26111-01	HANDLE	1														PREVIOUS STD Semi Up
	1Y0-26111-00	HANDLE	1														NEW STD Semi Up
	183-26111-20	HANDLE	1														Bar Alternate Parts
	283-26111-00	HANDLE	1														Bridge Alternate Parts
22- 2	353-82910-01	LEVER HOLDER ASS'Y, left	1														STD Semi Up Bridge
	471-82710-00	LEVER HOLDER ASS'Y, left	1														STD Semi Up Bridge
	448-82910-21	LEVER HOLDER ASS'Y, left	1														Bar Alternate Parts
	1X5-82710-20	LEVER HOLDER ASS'Y, left	1														Bar Alternate Parts
22- 3	137-83912-02-38	LEVER, left	1														
22- 4	98501-05020	SCREW, panhead	1														
22- 5	137-83913-01	COLLAR, lever	1														
22- 6	95601-05100	NUT U	1														
22- 7	109-82820-12-94	LEVER HOLDER ASS'Y, right	1														STD Semi Up Bar Bridge
22- 8	232-83922-31-38	LEVER, right	1														
22- 9	98501-05025	SCREW, panhead	1														
22-10	137-83913-01	COLLAR, lever	1														
22-11	95601-05100	NUT U	1														
22-12	353-26241-00	GRIP, left	1														
22-13	353-26242-00	GRIP, right	1														
22-14	1V1-26243-00	TUBE, guide	1														

Fig. 22 HANDLE · WIRE (FS1)



Ref. No.	Parts No.	Description	Q'ty	FS1 FS1DX											Remarks	
				HOLLAND	FRANCE	SWITZERLAND	W. GERMANY	BELGIUM	SPAIN	ENGLAND	IRELAND	NETHERLANDS	AUSTRIA	ITALY		
22-15	137-26311-60	WIRE, throttle 1 (490mm)	1													PREVIOUS STD Semi Up
	1Y0-26311-00	WIRE, throttle 1	1													NEW STD Semi Up
22-16	394-26311-00	WIRE, throttle 1 (845mm)	1													PREVIOUS STD Semi Up
	1X3-26311-00	WIRE, throttle 1	1													NEW STD Semi Up
22-17	260-26311-20	WIRE, throttle 1 (395mm)	1													Bar Alternate Parts
	394-26311-20	WIRE, throttle 1 (750mm)	1													Bar Alternate Parts
22-18	212-26311-00	WIRE, throttle 1 (545mm)	1													Bridge Alternate Parts
	394-26311-10	WIRE, throttle 1 (900mm)	1													Bridge Alternate Parts
22-19	1Y6-26312-00	WIRE, throttle 2 (290mm)	1													
22-20	260-26321-00	WIRE, pump (350mm)	1													
22-21	137-26261-01	CYLINDER, wire	1													
22-22	92901-06600	WASHER, plate	1													
22-23	92901-06100	WASHER, spring	1													
22-24	92501-06012	SCREW, panhead	1													
22-25	90170-10038	NUT, hexagon	1													
22-26	260-26335-00	WIRE, clutch (970mm)	1													PREVIOUS STD Semi Up
	1Y0-26335-00	WIRE, clutch	1													NEW STD Semi Up
	260-26335-20	WIRE, clutch (860mm)	1													Bar Alternate Parts
22-27	260-26335-10	WIRE, clutch (1030mm)	1													Bridge Alternate Parts
	164-26363-00	END, wire	1													
22-28	260-26341-00	WIRE, brake (970mm)	1													PREVIOUS STD Semi Up
	1Y0-26341-00	WIRE, brake	1													NEW STD Semi Up
	109-26341-20	WIRE, brake (895mm)	1													Bar Alternate Parts
22-29	132-26341-10	WIRE, brake (1020mm)	1													Bridge Alternate Parts
	90123-06011	BOLT (109-26345-00)	1													
22-30	90179-06143	NUT (109-26344-00)	1													
22-31	257-13151-01	STAY	1													
22-32	98501-05010	SCREW, panhead	2													

Fig. 22 HANDLE · WIRE (FS1)

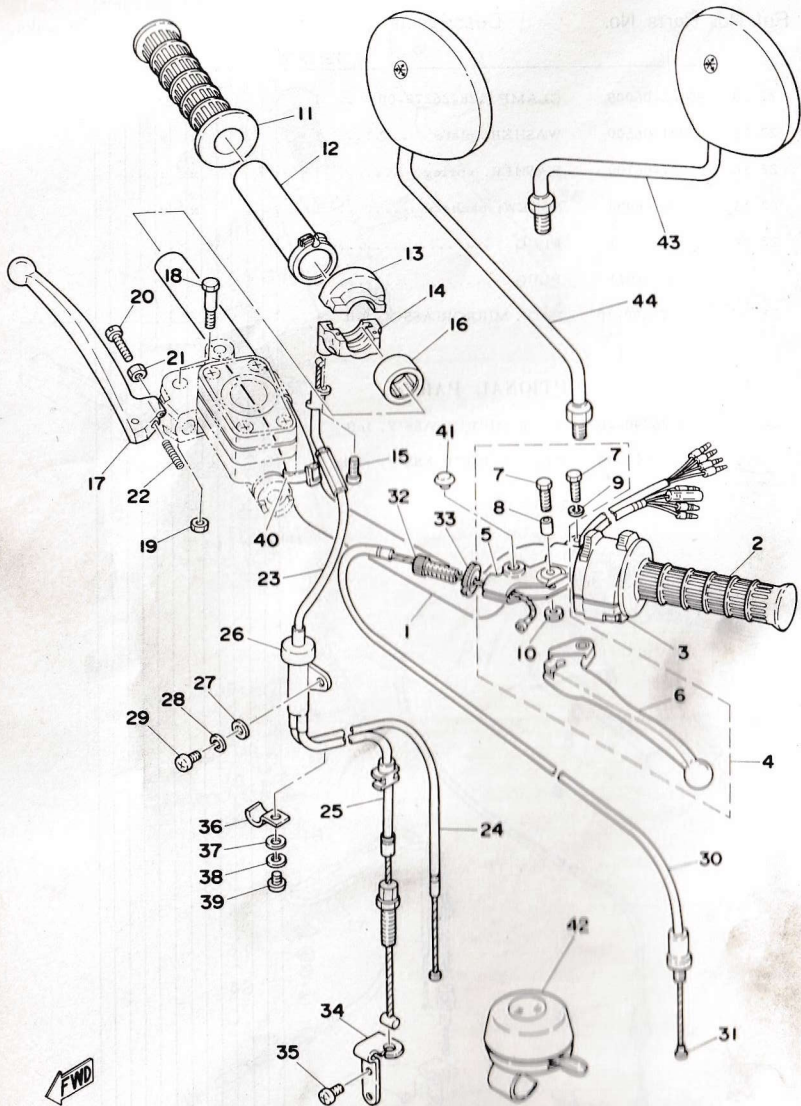


Ref. No.	Parts No.	Description	Q'ty	FS1 FS1DX											Remarks	
				ITALY	DENMARK	AUSTRIA	NORWAY	FINLAND	SWEDEN	BELGIUM	SWITZERLAND	W. GERMANY	HOLLAND	FRANCE		
22-30	90462-06009	CLAMP (128-26278-00) ..	1					x	x							
22-31	92901-06600	WASHER, plate	1					x	x							
22-32	92901-06100	WASHER, spring	1					x	x							
22-33	92501-06008	SCREW, panhead	1					x	x							
22-34	90338-07011	PLUG	1						x							
	90338-07011	PLUG	2						x	x						
22-35	1Y0-26290-10	BACK MIRROR ASS'Y, left	1							x						

OPTIONAL PARTS

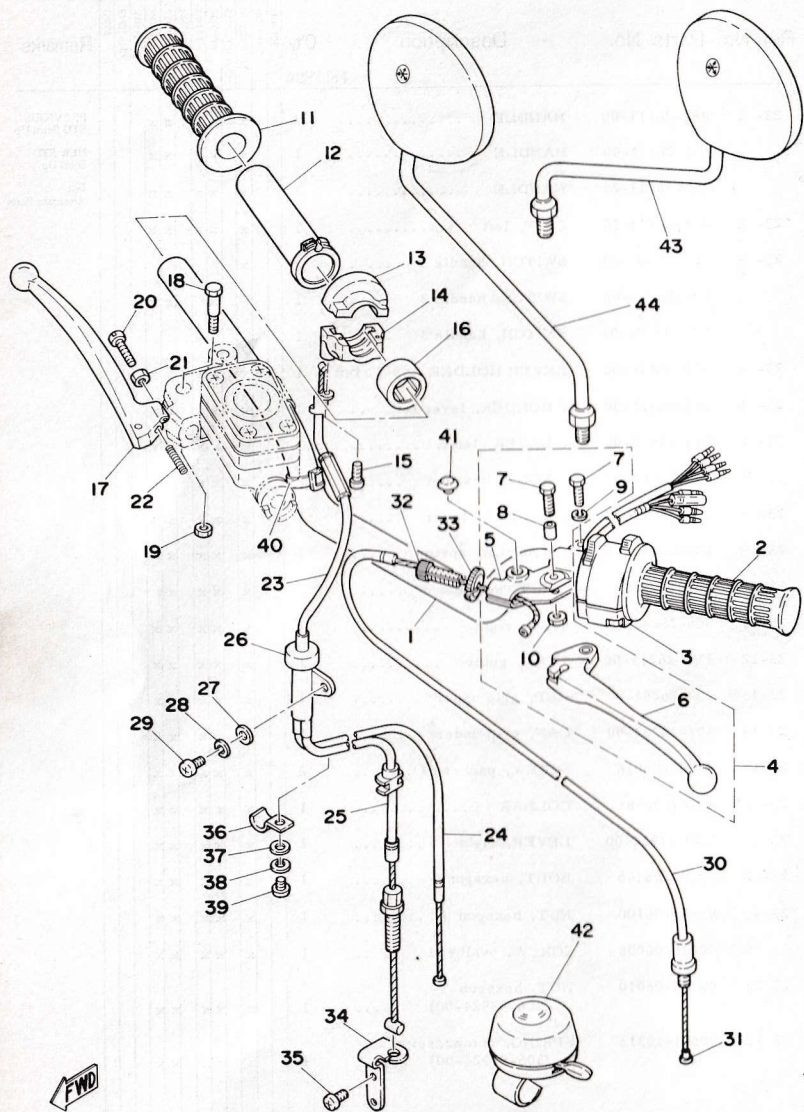
22-35	1Y0-26290-10	BACK MIRROR ASS'Y, left	1							x	x					
22-36	1Y0-26290-00	BACK MIRROR ASS'Y, right	1							x	x	x				

Fig. 23 HANDLE · WIRE (FS1-DX)



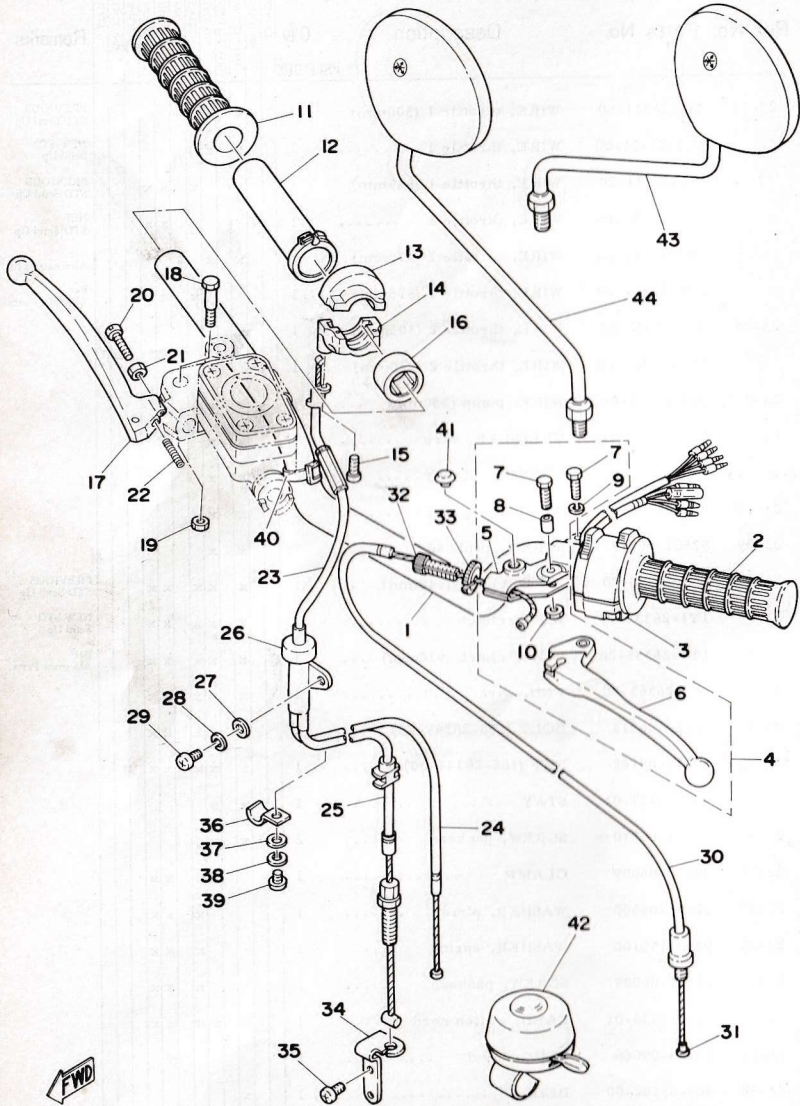
Ref. No.	Parts No.	Description	Q'ty	FSI FSIDX											Remarks
				FRANCE	HOLLAND	SWITZERLAND	W. GERMANY	BELGIUM	SWEDEN	FINLAND	DENMARK	NORWAY	AUSTRIA	ITALY	
23- 1	481-26111-00	HANDLE	1	x	x	x	x	x	x	x	x	x	x	x	PREVIOUS STD Semi Up
	463-26111-00	HANDLE	1	x	x	x	x	x	x	x	x	x	x	x	NEW STD Semi Up
	463-26111-21	HANDLE	1	x	x	x	x	x	x	x	x	x	x	x	Bar Alternate Parts
23- 2	235-26241-10	GRIP, left	1	x	x	x	x	x	x	x	x	x	x	x	
23- 3	1K0-83973-01	SWITCH, handle 3	1	x											
	393-83973-02	SWITCH, handle 3	1			x									
	1K2-83973-01	SWITCH, handle 3	1				x								
23- 4	360-82910-00	LEVER HOLDER ASS'Y, left	1	x	x	x	x	x	x	x	x	x	x	x	
23- 5	341-82911-00	. HOLDER, lever left ..	1	x	x	x	x	x	x	x	x	x	x	x	
23- 6	214-83912-00	. LEVER, left	1	x	x	x	x	x	x	x	x	x	x	x	
23- 7	97303-06020	. BOLT, hexagon	2	x	x	x	x	x	x	x	x	x	x	x	
23- 8	214-83913-00	. COLLAR, lever	1	x	x	x	x	x	x	x	x	x	x	x	
23- 9	92901-06100	. WASHER, spring	1	x	x	x	x	x	x	x	x	x	x	x	
23-10	95301-06700	. NUT, hexagon	1	x	x	x	x	x	x	x	x	x	x	x	
23-11	306-26242-10	GRIP, right	1	x	x	x	x	x	x	x	x	x	x	x	
23-12	1V1-26243-00	TUBE, guide	1	x	x	x	x	x	x	x	x	x	x	x	
23-13	307-26281-00	CAP, grip upper	1	x	x	x	x	x	x	x	x	x	x	x	
23-14	307-26282-00	CAP, grip under	1	x	x	x	x	x	x	x	x	x	x	x	
23-15	98501-05016	SCREW, panhead	2	x	x	x	x	x	x	x	x	x	x	x	
23-16	90387-22585	COLLAR	1	x	x	x	x	x	x	x	x	x	x	x	
23-17	1A0-83922-00	LEVER, right	1	x	x	x	x	x	x	x	x	x	x	x	
23-18	90109-06465	BOLT, hexagon	1	x	x	x	x	x	x	x	x	x	x	x	
23-19	95601-06100	NUT, hexagon	1	x	x	x	x	x	x	x	x	x	x	x	
23-20	90146-06008	SCREW, ovalhead	1	x	x	x	x	x	x	x	x	x	x	x	
23-21	90170-06010	NUT, hexagon (306-83924-00)	1	x	x	x	x	x	x	x	x	x	x	x	
23-22	90501-10312	SPRING, compression (306-83924-00)	1	x	x	x	x	x	x	x	x	x	x	x	

Fig. 23 HANDLE · WIRE (FS1-DX)



Ref. No.	Parts No.	Description	Q'ty	FS1 FS1DX											Remarks	
				ITALY	ENGLAND	AUSTRIA	NORWAY	DENMARK	FINLAND	SWEDEN	BELGIUM	SWITZERLAND	W. GERMANY	HOLLAND		FRANCE
23-23	596-26311-50	WIRE, throttle 1 (500mm)	1	x	x											PREVIOUS STD Semi Up
	1Y1-26311-00	WIRE, throttle 1	1	x	x											NEW STD Semi Up
	596-26311-20	WIRE, throttle 1 (845mm)	1				x	x	x							PREVIOUS STD Semi Up
	1X4-26311-00	WIRE, throttle 1	1				x	x	x							NEW STD Semi Up
	1Y1-26311-20	WIRE, throttle 1 (470mm)	1	x	x											Bar Alternate Parts
	1X4-26311-20	WIRE, throttle 1 (815mm)	1				x	x	x							Bar Alternate Parts
23-24	207-26312-00	WIRE, throttle 2 (305mm)	1	x												
	1Y6-26312-00	WIRE, throttle 2 (290mm)	1		x											
23-25	260-26321-00	WIRE, pump (350mm)	1	x	x											
23-26	137-26261-01	CYLINDER, wire	1	x	x											
23-27	92901-06600	WASHER, plate	1	x	x											
23-28	92901-06100	WASHER, spring	1	x	x											
23-29	92501-06012	SCREW, panhead	1	x	x											
23-30	596-26335-20	WIRE, clutch (940mm)	1	x	x	x	x	x								PREVIOUS STD Semi Up
	1Y1-26335-00	WIRE, clutch	1	x	x	x	x	x								NEW STD Semi Up
	1Y1-26335-20	WIRE, clutch (910mm)	1	x	x	x	x	x								Bar Alternate Parts
23-31	164-26363-00	END, wire	1	x	x	x	x	x								
23-32	90123-08013	BOLT (156-26346-00)	1	x	x	x	x	x								
23-33	90179-08148	NUT (168-26344-00)	1	x	x	x	x	x								
23-34	257-13151-01	STAY	1	x	x											
23-35	98501-05010	SCREW, panhead	2	x	x											
23-36	90462-06009	CLAMP	1				x	x	x							
23-37	92901-06600	WASHER, plate	1		x	x	x	x								
23-38	92901-06100	WASHER, spring	1		x	x	x	x								
23-39	92501-06008	SCREW, panhead	1		x	x	x	x								
23-40	168-83936-01	BAND, switch cord	1	x	x	x	x	x								
23-41	90338-09046	PLUG, blind	1				x									
23-42	469-83382-00	BELL	1	x												

Fig. 23 HANDLE · WIRE (FS1-DX)



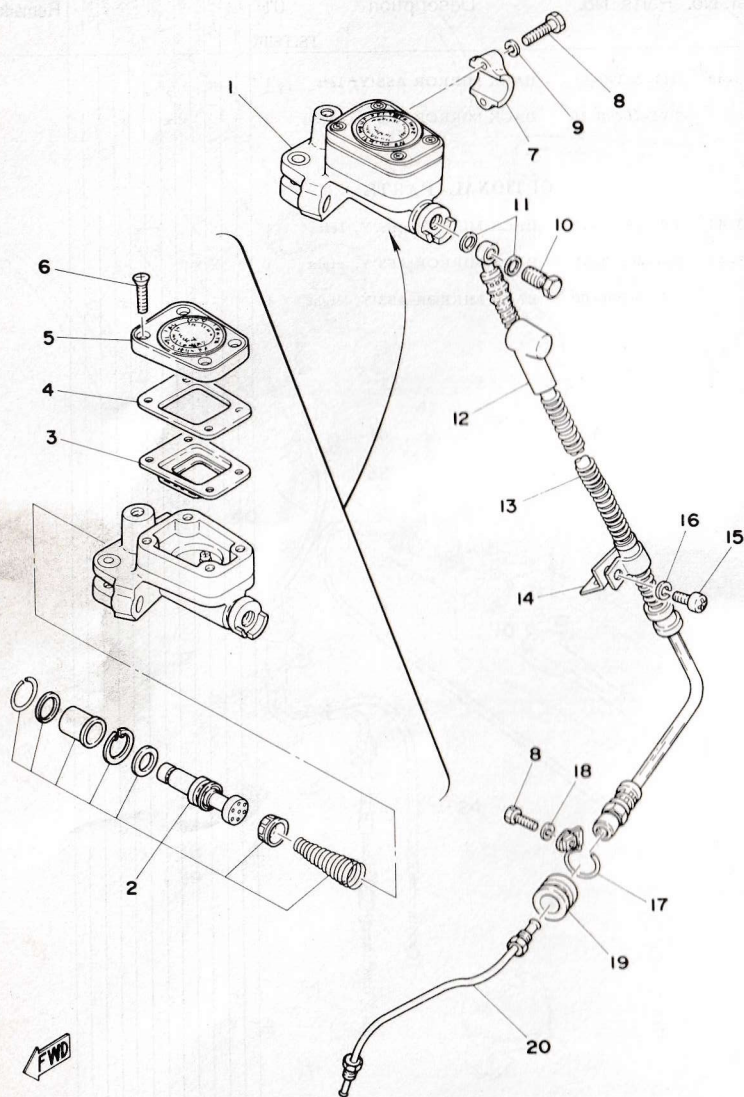
Ref. No.	Parts No.	Description	Q'ty	FS1 FS1DX											Remarks
				FRANCE	HOLLAND	SWITZERLAND	WEST GERMANY	BELGIUM	SWEDEN	DENMARK	NETHERLANDS	AUSTRIA	ENGLAND	ITALY	

23-43	341-26290-51	BACK MIRROR ASS'Y, left	1	x																
	1Y1-26290-10	BACK MIRROR ASS'Y, left	1						x	x					x					

OPTIONAL PARTS

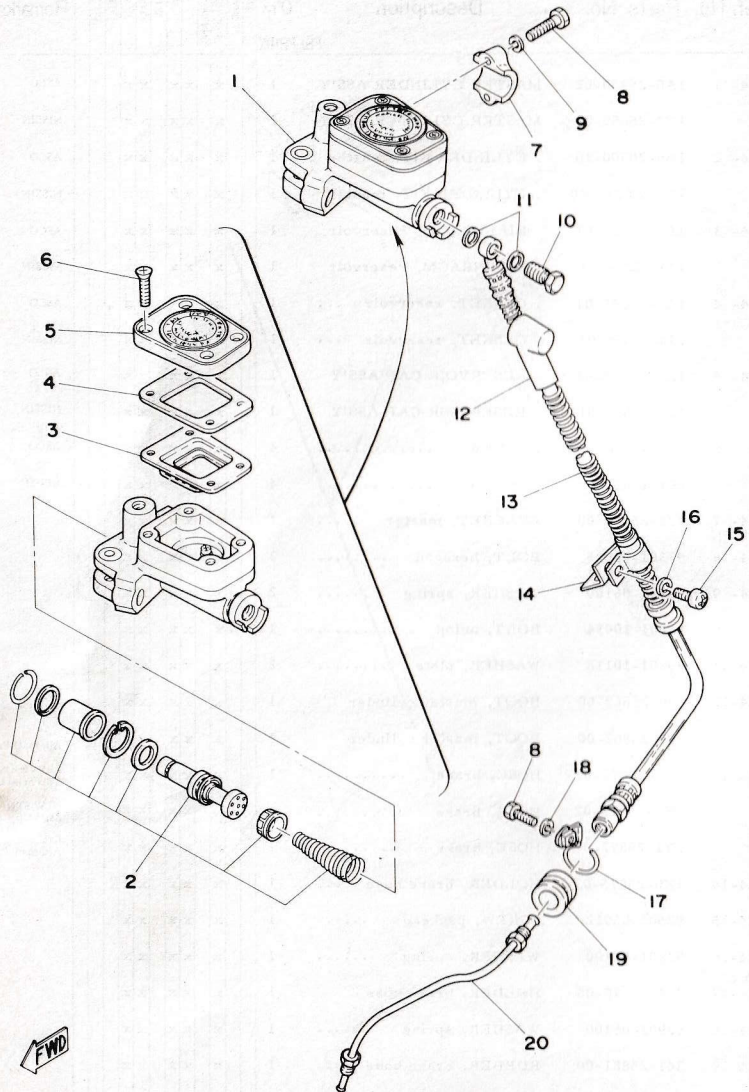
23-43	1Y1-26290-10	BACK MIRROR ASS'Y, left	1																	
23-44	341-26290-61	BACK MIRROR ASS'Y, right	1	x																
	1Y1-26290-00	BACK MIRROR ASS'Y, right	1						x	x					x					

Fig. 24 MASTER CYLINDER · BRAKE HOSE (FS1-DX)



Ref. No.	Parts No.	Description	Q'ty	FS1 FS1DX											Remarks
				FRANCE	HOLLAND	W. GERMANY	BELGIUM	SWEDEN	DENMARK	FINLAND	AUSTRIA	ENGLAND	ITALY	NEW ZEALAND	
24- 1	1A0-25850-02	MASTER CYLINDER ASS'Y	1	x	x	x	x	x	x	x	x	x	x	x	ASCO
	1Y1-25850-00	MASTER CYLINDER ASS'Y	1	x	x	x	x	x	x	x	x	x	x	x	NISSIN
24- 2	1A0-20000-10	. CYLINDER KIT, master	1	x	x	x	x	x	x	x	x	x	x	x	ASCO
	1Y1-W0041-00	. CYLINDER KIT, master	1	x	x	x	x	x	x	x	x	x	x	x	NISSIN
24- 3	1A0-25854-01	. DIAPHRAGM, reservoir	1	x	x	x	x	x	x	x	x	x	x	x	ASCO
	1J3-25854-01	. DIAPHRAGM, reservoir	1	x	x	x	x	x	x	x	x	x	x	x	NISSIN
24- 4	1A0-25855-01	. GASKET, reservoir ...	1	x	x	x	x	x	x	x	x	x	x	x	ASCO
	1J3-25855-01	. GASKET, reservoir ...	1	x	x	x	x	x	x	x	x	x	x	x	NISSIN
24- 5	1A0-25893-01	. RESERVOIR CAP ASS'Y	1	x	x	x	x	x	x	x	x	x	x	x	ASCO
	1J3-25852-01	. RESERVOIR CAP ASS'Y	1	x	x	x	x	x	x	x	x	x	x	x	NISSIN
24- 6	1A0-258524-01	. SCREW	4	x	x	x	x	x	x	x	x	x	x	x	ASCO
	90151-05008	. SCREW	4	x	x	x	x	x	x	x	x	x	x	x	NISSIN
24- 7	1J3-25867-00	BRACKET, master	1	x	x	x	x	x	x	x	x	x	x	x	
24- 8	97301-06025	BOLT, hexagon	3	x	x	x	x	x	x	x	x	x	x	x	
24- 9	92901-06100	WASHER, spring	2	x	x	x	x	x	x	x	x	x	x	x	
24-10	90401-10034	BOLT, union	1	x	x	x	x	x	x	x	x	x	x	x	
24-11	90201-10118	WASHER, plate	2	x	x	x	x	x	x	x	x	x	x	x	
24-12	360-25862-00	BOOT, master cylinder	1	x	x	x	x	x	x	x	x	x	x	x	STD Semi Up
	306-25862-00	BOOT, master cylinder	1	x	x	x	x	x	x	x	x	x	x	x	Bar Alternate Parts
24-13	1K0-25872-01	HOSE, brake	1	x	x	x	x	x	x	x	x	x	x	x	PREVIOUS STD Semi Up
	1K0-25872-02	HOSE, brake	1	x	x	x	x	x	x	x	x	x	x	x	NEW STD Semi Up
	1Y1-25872-00	HOSE, brake	1	x	x	x	x	x	x	x	x	x	x	x	Bar Alternate Parts
24-14	1K0-25875-01	HOLDER, brake hose ...	1	x	x	x	x	x	x	x	x	x	x	x	
24-15	92501-06012	SCREW, panhead	1	x	x	x	x	x	x	x	x	x	x	x	
24-16	92901-06100	WASHER, spring	1	x	x	x	x	x	x	x	x	x	x	x	
24-17	404-25876-00	HOLDER, brake hose 2	1	x	x	x	x	x	x	x	x	x	x	x	
24-18	92901-06100	WASHER, spring	1	x	x	x	x	x	x	x	x	x	x	x	
24-19	341-25881-00	RUBBER, brake hose	1	x	x	x	x	x	x	x	x	x	x	x	

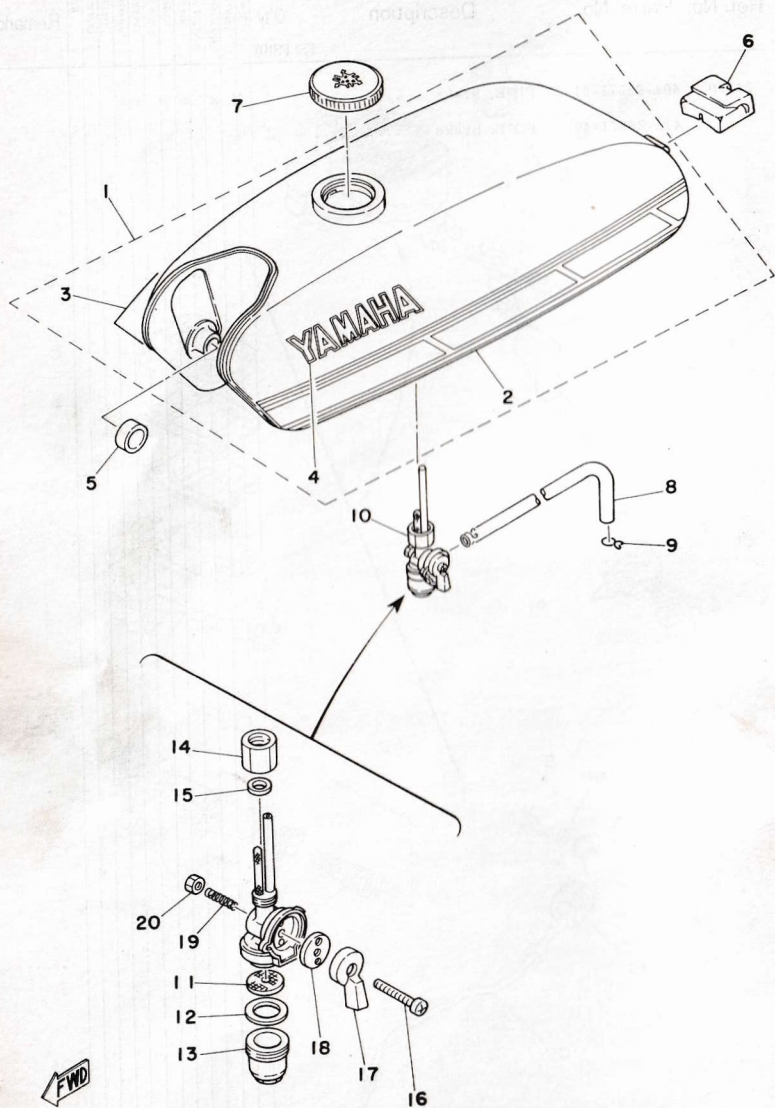
Fig. 24 MASTER CYLINDER · BRAKE HOSE (FS1-DX)



FWD

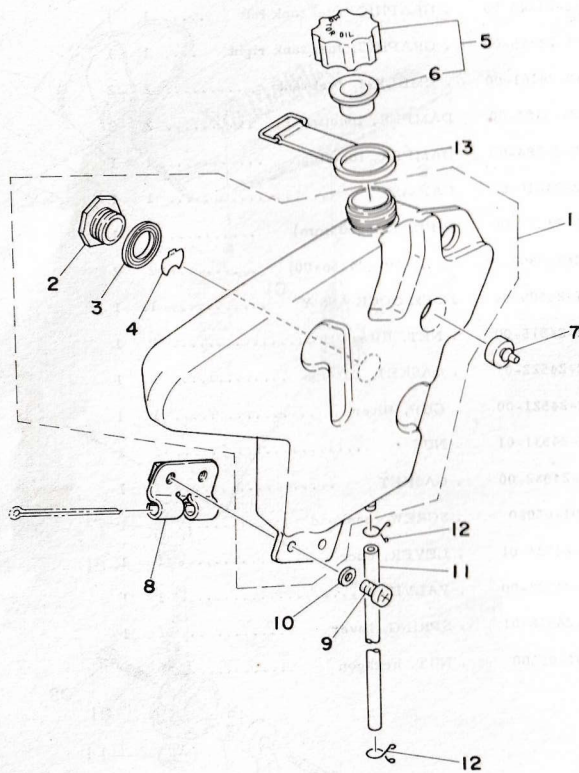
Ref. No.	Parts No.	Description	Q'ty	FS1 FS1DX											Remarks			
				FRANCE	HOLLAND	SWITZERLAND	W. GERMANY	BELGIUM	SWEDEN	FINLAND	DENMARK	SPAIN	ITALY	ENGLAND		NETHERLANDS		
24-20	404-25871-01	PIPE, brake	1	X				X				X						
	416-25871-40	PIPE, brake	1						X									

Fig. 25 FUEL TANK



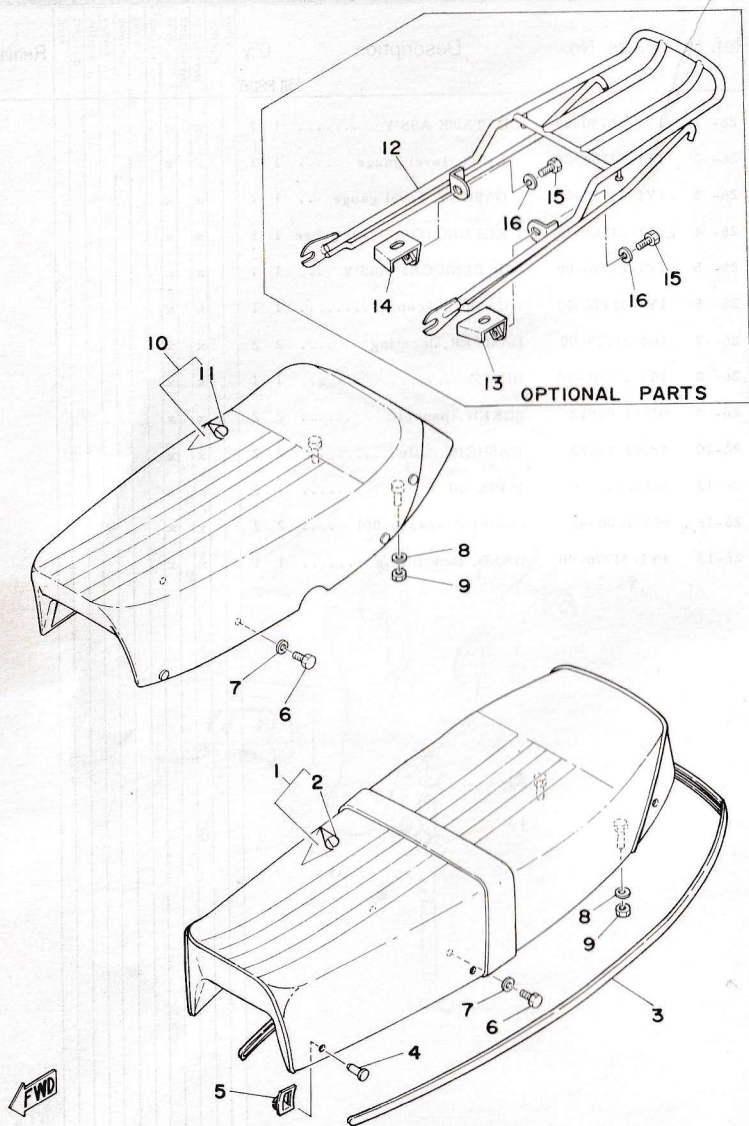
Ref. No.	Parts No.	Description	Q'ty		Applicable Machine No.	Remarks
			FSI	FSIX		
25- 1	1J5-24110-01-07	FUEL TANK COMP.	1	1		Crystal Silver
	1J5-24110-01-08	FUEL TANK COMP.	1	1		Chrom Plated
	1J5-24110-01-X0	FUEL TANK COMP.	1	1		Chappy Red
	1J5-24110-01-X1	FUEL TANK COMP.	1	1		New Portuguese Orange
	1J5-24110-01-X2	FUEL TANK COMP.	1	1		Space Blue
25- 2	1Y1-24244-00	. GRAPHIC, fuel tank left	1	1		
25- 3	1Y1-24245-00	. GRAPHIC, fuel tank right	1	1		
25- 4	1A0-24161-00	. EMBLEM, fuel tank	2	2		
25- 5	122-24181-00	DAMPER, locating 1	2	2		
25- 6	467-24184-00	DAMPER, locating	1	1		
25- 7	122-24610-01	CAP ASS'Y	1	1		
25- 8	357-24311-00	PIPE, fuel (505mm)	1	1		
25- 9	90467-08003	CLIP (101-24356-00)	2	2		
25-10	367-24500-04	FUEL COCK ASS'Y	1	1		
25-11	355-24515-00	. NET, filter	1	1		
25-12	102-24522-01	. GASKET, filter	1	1		
25-13	122-24521-00	. CUP, filter	1	1		
25-14	603-24531-01	. NUT	1	1		
25-15	122-24532-00	. GASKET	1	1		
25-16	98501-05030	. SCREW, panhead	1	1		
25-17	355-24524-01	. LEVER, cock	1	1		
25-18	355-24523-00	. VALVE	1	1		
25-19	355-24518-01	. SPRING, lever	1	1		
25-20	95301-05600	. NUT, hexagon	1	1		

Fig. 26 OIL TANK



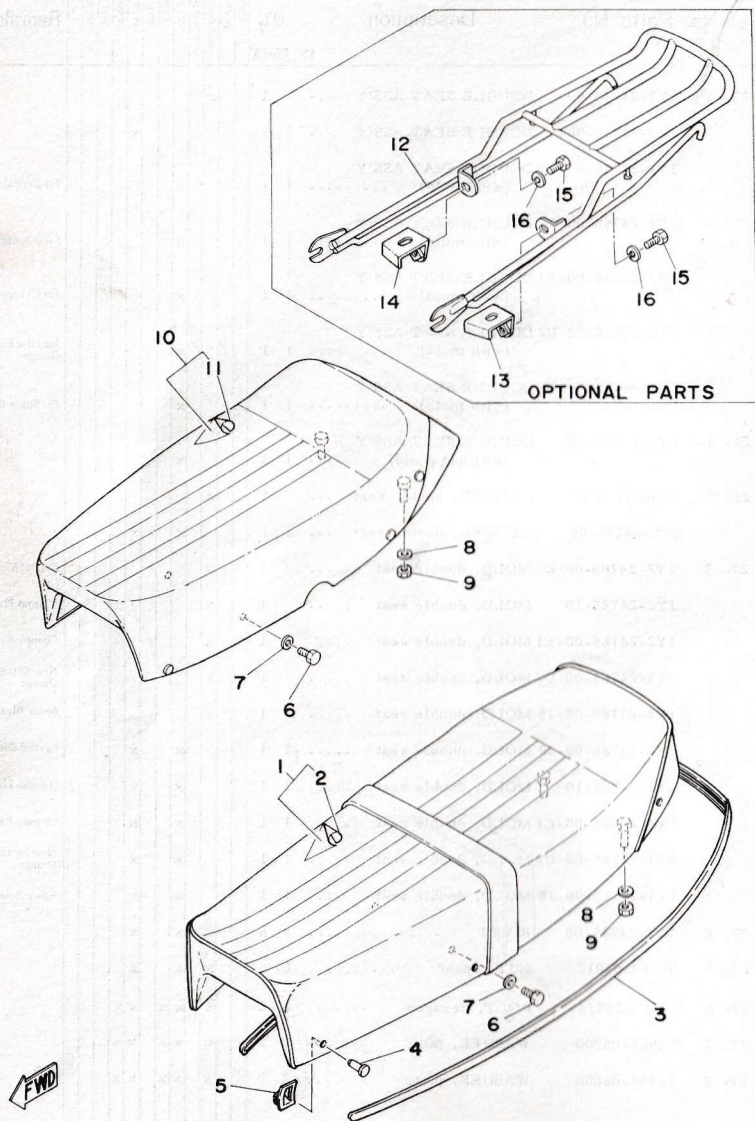
Ref. No.	Parts No.	Description	Q'ty	FSI FSIX											Remarks	
				FRANCE	HOLLAND	WEST GERMANY	NORWAY	FINLAND	SWEDEN	NETHERLAND	AUSTRIA	ENGLAND	ITALY			
26- 1	1Y1-21750-00	OIL TANK ASS'Y	1 1		x	x										
26- 2	1Y1-21764-00	. LENS, level gauge	1 1		x	x										
26- 3	1Y1-21763-00	. GASKET, level gauge	1 1		x	x										
26- 4	1Y1-2176A-00	. REFLECTOR, level gauge	1 1		x	x										
26- 5	1Y1-21770-00	OIL TANK CAP ASS'Y	1 1		x	x										
26- 6	1Y1-21772-00	. GASKET, cap	1 1		x	x										
26- 7	164-21778-00	DAMPER, locating	2 2		x	x										
26- 8	1Y1-21796-00	HINGE	1 1		x	x										
26- 9	92501-06012	SCREW, panhead	2 2		x	x										
26-10	92901-06600	WASHER, plate	2 2		x	x										
26-11	126-24319-01	PIPE, oil	1 1		x	x										
26-12	90467-08003	CLIP (101-24356-00)	2 2		x	x										
26-13	1Y1-21776-00	BAND, tank fitting	1 1		x	x										

Fig. 27 SEAT



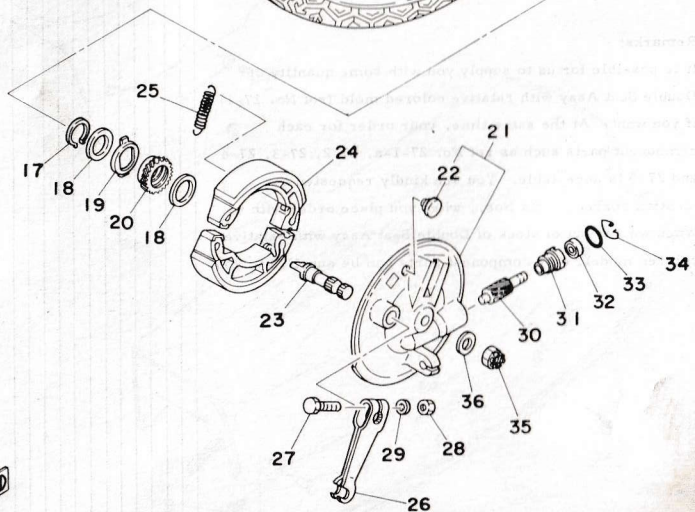
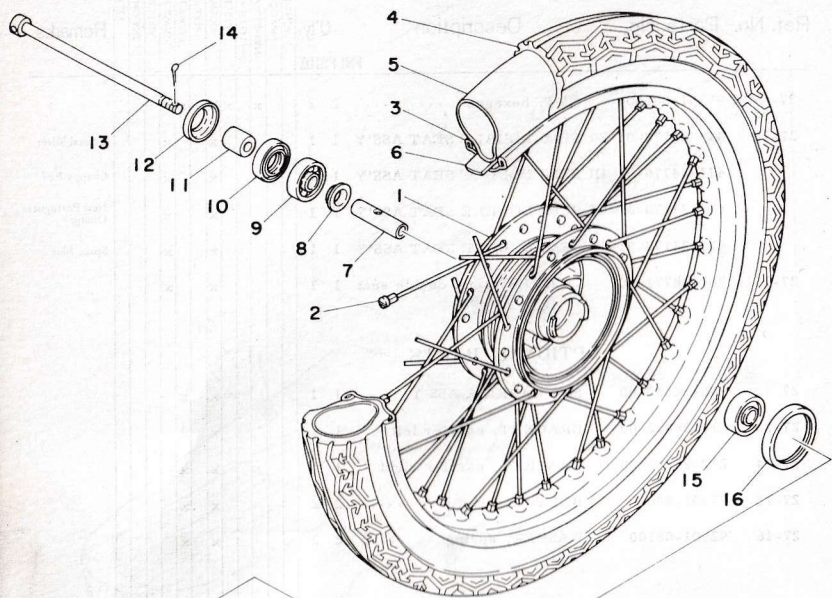
Ref. No.	Parts No.	Description	Q'ty	FSI FSIOX											Remarks		
				HOLLAND	FRANCE	WEST GERMANY	SWITZERLAND	SWEDEN	FINLAND	DENMARK	NORWAY	AUSTRIA	ENGLAND	ITALY			
27- 1	1Y2-24730-90	DOUBLE SEAT ASS'Y	1	X													
	1X9-24730-90	DOUBLE SEAT ASS'Y	1 1											X			
	1Y1-24730-00-20	DOUBLE SEAT ASS'Y (with mold)	1 1											X			for Crystal Silver
	1Y1-24730-00-93	DOUBLE SEAT ASS'Y (with mold)	1 1											X			for (Chrom Plated)
	1Y1-24730-00-E1	DOUBLE SEAT ASS'Y (with mold)	1 1											X			for Chappy Red
	1Y1-24730-00-U2	DOUBLE SEAT ASS'Y (with mold)	1 1											X			for New Portuguese Orange
	1Y1-24730-00-J5	DOUBLE SEAT ASS'Y (with mold)	1 1											X			for Space Blue
27- 1-a	1Y1-24730-90	DOUBLE SEAT ASS'Y (with out mold)	1 1											X			
27- 2	468-24731-00	COVER, double seat	1	X													
	260-24731-00	COVER, double seat	1 1											X			
27- 3	1Y2-24785-00-20	MOLD, double seat	1	X													Crystal Silver
	1Y2-24785-10	MOLD, double seat	1	X													(Chrom Plated)
	1Y2-24785-00-E1	MOLD, double seat	1	X													Chappy Red
	1Y2-24785-00-U2	MOLD, double seat	1	X													New Portuguese Orange
	1Y2-24785-00-J5	MOLD, double seat	1	X													Space Blue
	1Y1-24785-00-20	MOLD, double seat	1 1										X	X			Crystal Silver
	1Y1-24785-10	MOLD, double seat	1 1										X	X			(Chrom Plated)
	1Y1-24785-00-E1	MOLD, double seat	1 1										X	X			Chappy Red
	1Y1-24785-00-U2	MOLD, double seat	1 1										X	X			New Portuguese Orange
	1Y1-24785-00-J5	MOLD, double seat	1 1										X	X			Space Blue
27- 4	1Y1-24789-00	RIVET	6 6	X	X												
27- 5	90183-04012	NUT, speed	6 6	X	X												
27- 6	97301-08018	BOLT, hexagon	2 2	X	X	X											
27- 7	92901-08200	WASHER, plain	2 2	X	X	X											
27- 8	92901-08600	WASHER, plate	2 2	X	X	X											

Fig. 27 SEAT



Ref. No.	Parts No.	Description	Q'ty	FSI FSIIX											Remarks			
				ITALY	ENGLAND	AUSTRIA	NORWAY	DENMARK	FINLAND	SWEDEN	BELGIUM	SWITZERLAND	N. GERMANY	HOLLAND		FRANCE		
27-9	95301-08600	NUT, hexagon	2 2		x	x	x	x										
27-10	471-24770-01-20	SEMI DOUBLE SEAT ASS'Y	1 1					x										Crystal Silver
	471-24770-01-E1	SEMI DOUBLE SEAT ASS'Y	1 1					x										Chappy Red
	471-24770-01-U2	SEMI DOUBLE SEAT ASS'Y	1 1					x										New Portuguese Orange
	471-24770-01-J5	SEMI DOUBLE SEAT ASS'Y	1 1					x										Space Blue
27-11	260-24771-00	. COVER, semi double seat	1 1					x										
OPTIONAL PARTS																		
27-12	206-24830-00	SUB CARRIER ASS'Y	1 1					x		x								
27-13	212-24832-00	BRACKET, carrier left	1 1					x		x								
27-14	212-24833-00	BRACKET, carrier right	1 1					x		x								
27-15	97301-08016	BOLT, hexagon	2 2					x		x								
27-16	92901-08100	WASHER, spring	2 2					x		x								
Remarks:																		
It is possible for us to supply you with some quantity of Double Seat Assy with relative colored mold (ref No. 27-1) if you want. At the same time, your order for each component parts such as ref No. 27-1-a, 27-2, 27-3, 27-4 and 27-5 is acceptable. You are kindly requested to mention correct parts Nos., when you place order with us. When we run out of stock of Double Seat Assy with relative colored model, only component parts can be supplied to you.																		

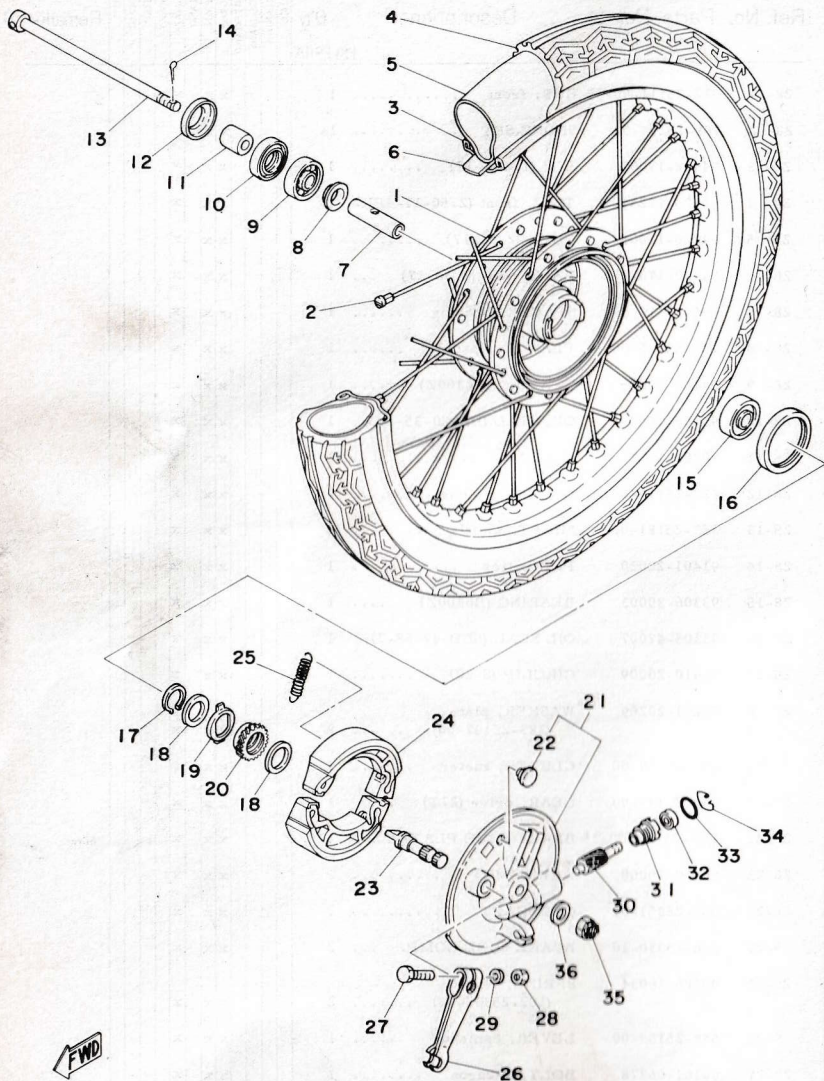
Fig. 28 FRONT WHEEL (FS1)



FWD

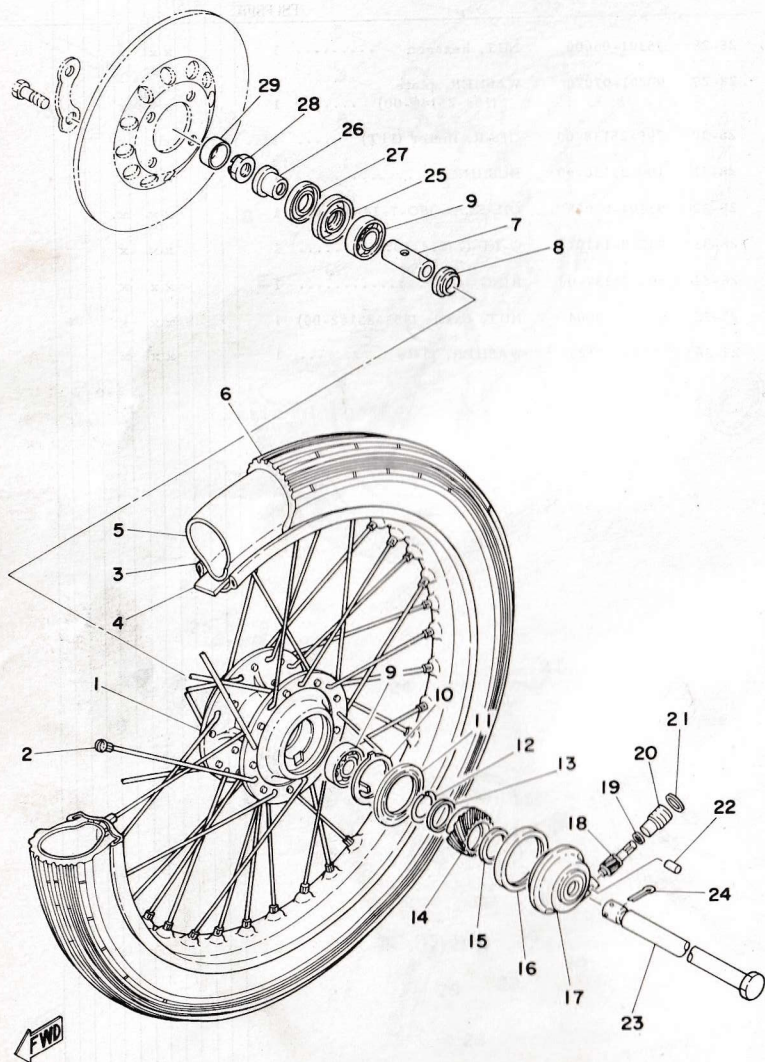
Ref. No.	Parts No.	Description	Q'ty	ITALY	ENGLAND	AUSTRIA	NORWAY	DENMARK	FINLAND	SWEDEN	BEIGIUM	SWITZERLAND	N. GERMANY	FRANCE	HOLLAND	Remarks	
FS1 FS1DX																	
28- 1	517-25111-00-35	HUB, front	1			x	x	x									
28- 2	109-25104-00	SPOKE SET	1s			x	x	x									
28- 3	94412-17002	RIM (1.20A-17)	1			x	x	x									
28- 4	94125-17259	TIRE, front (2.50-17-4PR)	1			x	x	x									
28- 5	94225-17005	TUBE (2.50-17)	1			x	x	x									
28- 6	94330-17023	BAND, rim (2.50-17)	1			x	x	x									
28- 7	195-25117-09	SPACER, bearing	1			x	x	x									
28- 8	195-25115-00	FLANGE, spacer	1			x	x	x									
28- 9	93306-30003	BEARING (B6300Z)	1			x	x	x									
28-10	93106-20001	OIL SEAL (DD-20-35-7)	1			x	x	x									
28-11	90387-10277	COLLAR	1			x	x	x									
28-12	322-25118-00	COVER, hub dust	1			x	x	x									
28-13	353-25181-03	SHAFT, wheel	1			x	x	x									
28-14	91401-20020	PIN, cotter	1			x	x	x									
28-15	93306-30003	BEARING (B6300Z)	1			x	x	x									
28-16	93105-47007	OIL SEAL (SDD-47-58-7)	1			x	x	x									
28-17	93410-20009	CIRCLIP (S-20)	1			x	x	x									
28-18	90201-20269	WASHER, plate (183-25147-00)	2			x	x	x									
28-19	183-25149-00	CLUTCH, meter	1			x	x	x									
28-20	296-25135-00	GEAR, drive (27T)	1			x	x	x									
28-21	1K8-25120-00-35	BRAKE SHOE PLATE ASS'Y	1			x	x	x									Silver
28-22	90480-10068	GROMMET	1			x	x	x									
28-23	538-25351-01	CAMSHAFT	1			x	x	x									
28-24	326-25330-10	BRAKE SHOE COMP.	2			x	x	x									
28-25	90506-16034	SPRING, tension (102-25333-00)	2			x	x	x									
28-26	538-25155-00	LEVER, camshaft	1			x	x	x									
28-27	90101-06278	BOLT, hexagon	1			x	x	x									

Fig. 28 FRONT WHEEL (FS1)



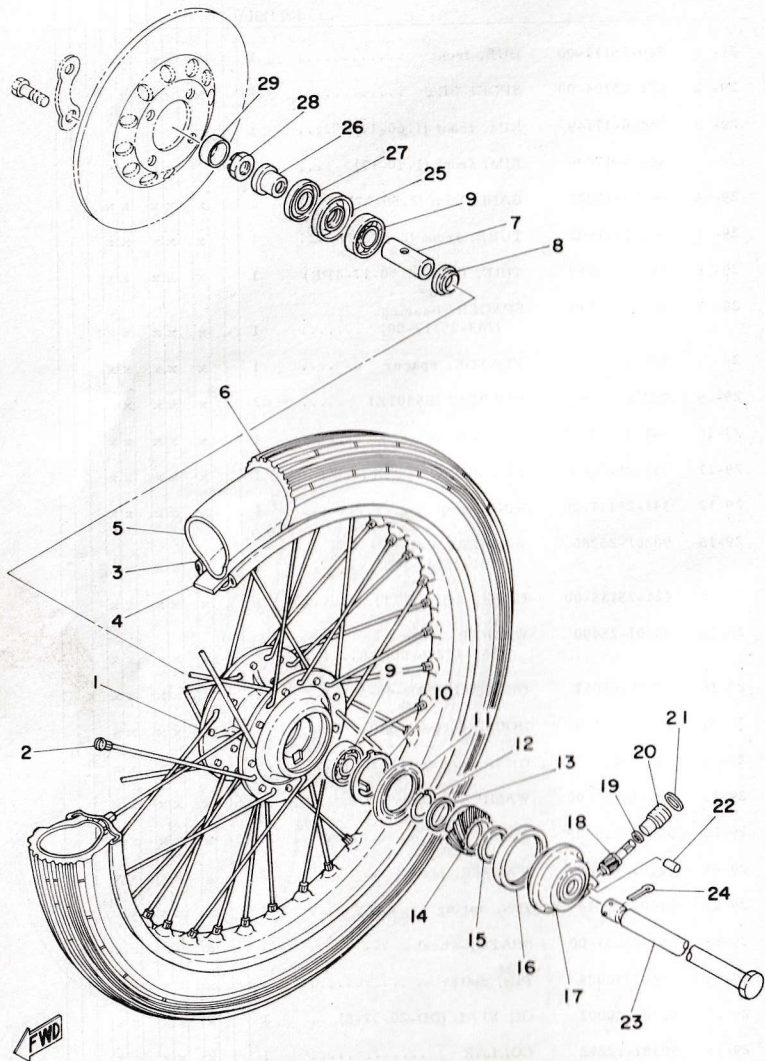
Ref. No.	Parts No.	Description	Q'ty	FS1 FS1DX											Remarks	
				FRANCE	HOLLAND	WEST GERMANY	SCOTLAND	SWEDEN	FINLAND	DENMARK	NORWAY	AUSTRIA	ENGLAND	ITALY		
28-28	95301-06600	NUT, hexagon	1					x	x	x						
28-29	90201-07076	WASHER, plate (183-25146-00)	1							x	x	x				
28-30	296-25138-00	GEAR, meter (11T)	1							x	x	x				
28-31	109-25136-00	BUSHING	1							x	x	x				
28-32	93104-07003	OIL SEAL (SO-7-14-4)	1							x	x	x				
28-33	93210-14104	O-RING (2.4-13.8)	1							x	x	x				
28-34	102-25137-00	RING, stop	1							x	x	x				
28-35	90171-10004	NUT, castle (353-25182-00)	1							x	x	x				
28-36	90201-10123	WASHER, plate	1							x	x	x				

Fig. 29 FRONT WHEEL (FS1-DX)



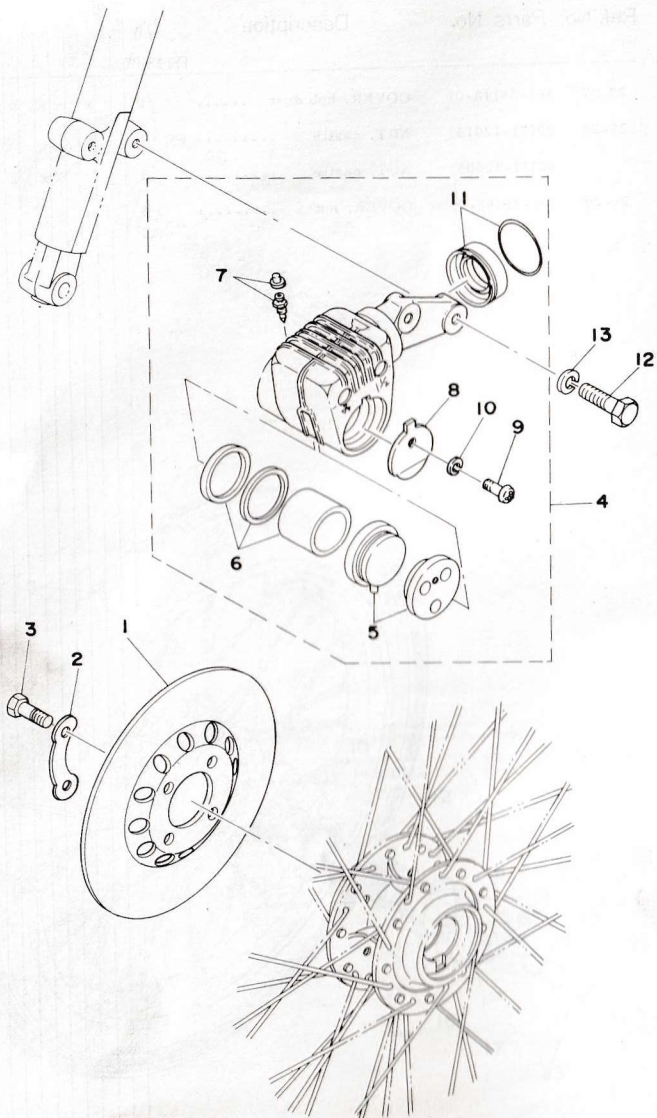
Ref. No.	Parts No.	Description	Q'ty	FS1 FS1DX										Remarks
				FRANCE	HOLLAND	GERMANY	SWITZERLAND	BELEM	SWEDEN	FINLAND	DENMARK	AUSTRIA	ITALY	
29- 1	390-25111-00	HUB, front	1	x	x	x	x	x	x	x	x			
29- 2	481-25104-00	SPOKE SET	1s	x	x	x	x	x	x	x	x			
29- 3	94416-17149	RIM, front (1.60-17)	1	x										
	94414-17090	RIM, front (1.40-17)	1			x	x	x	x					
29- 4	94330-17023	BAND, rim (2.50-17)	1	x	x	x	x	x	x					
29- 5	94225-17005	TUBE, front (2.50-17)	1	x	x	x	x	x	x					
29- 6	94125-17259	TIRE, front (2.50-17-4PR)	1	x	x	x	x	x	x					
29- 7	90560-12138	SPACER, bearing (183-25117-00)	1	x	x	x	x	x	x					
29- 8	109-25315-00	FLANGE, spacer	1	x	x	x	x	x	x					
29- 9	93306-30103	BEARING (B6301Z)	2	x	x	x	x	x	x					
29-10	341-25149-00	CLUTCH, meter	1	x	x	x	x	x	x					
29-11	341-25846-00	RETAINER, clutch meter	1	x	x	x	x	x	x					
29-12	341-25137-00	RING, stop	1	x	x	x	x	x	x					
29-13	90201-25286	WASHER, plate (341-25147-00)	1	x	x	x	x	x	x					
29-14	481-25135-00	GEAR, drive (27T)	1	x	x	x	x	x	x					
29-15	90201-25490	WASHER, plate (152-17226-00)	1	x	x	x	x	x	x					
29-16	93105-45017	OIL SEAL (SDD-45-56-6)	1	x	x	x	x	x	x					
29-17	390-25191-01	HOUSING, gear unit	1	x	x	x	x	x	x					
29-18	481-25138-00	GEAR, meter (11T)	1	x	x	x	x	x	x					
29-19	102-18416-00	WASHER (6.2-9.5-0.8)	1	x	x	x	x	x	x					
29-20	306-25136-00	BUSHING	1	x	x	x	x	x	x					
29-21	92901-12600	WASHER, plate	2	x	x	x	x	x	x					
29-22	91609-20014	PIN, spring	1	x	x	x	x	x	x					
29-23	367-25381-00	SHAFT, wheel	1	x	x	x	x	x	x					
29-24	91401-30025	PIN, cotter	1	x	x	x	x	x	x					
29-25	93106-20002	OIL SEAL (DD-20-37-8)	1	x	x	x	x	x	x					
29-26	90387-12272	COLLAR	1	x	x	x	x	x	x					

Fig. 29 FRONT WHEEL (FS1-DX)



Ref. No.	Parts No.	Description	Q'ty	FS1 FS1DX										Remarks			
				FRANCE	GERMANY	NETHERLANDS	SWITZERLAND	SPAIN	SWEDEN	BELGIUM	FINLAND	DENMARK	NORWAY		AUSTRIA	ITALY	
29-27	481-25118-01	COVER, hub dust	1		x	x	x	x									
29-28	90171-12015	NUT, castle	1		x												
	90171-12005	NUT, castle	1						x	x		x	x				
29-29	478-25188-00	COVER, nut	1				x										

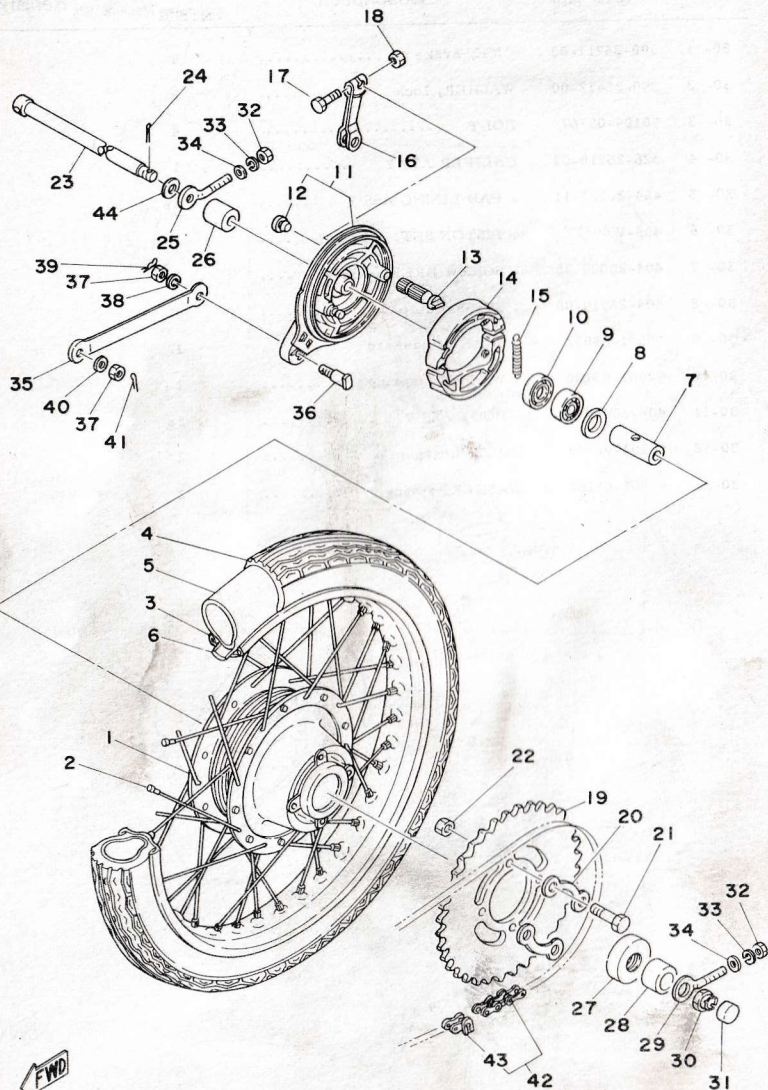
Fig. 30 DISC BRAKE · CALIPER (FS1-DX)



Ref. No.	Parts No.	Description	Q'ty	Applicable Machine No.	Remarks
			FS1 FS1DX		
30- 1	390-25711-00	DISK, brake	1		
30- 2	390-25412-00	WASHER, lock	2		
30- 3	90109-08367	BOLT	4		
30- 4	526-25810-00	CALIPER ASS'Y	1		
30- 5	464-20000-11	. PAD LINING ASS'Y	1s		
30- 6	404-W0057-00	. PISTON SET, caliper	1s		
30- 7	404-20000-30	. SCREW BREED ASS'Y	1s		
30- 8	404-25919-00	. SUPPORT, pad	1		
30- 9	98501-05012	. SCREW, panhead	1		
30-10	92901-05100	. WASHER, spring	1		
30-11	404-20000-41	. BOOT ASS'Y	1s		
30-12	90101-08244	BOLT, hexagon	2		
30-13	92901-08100	WASHER, spring	2		

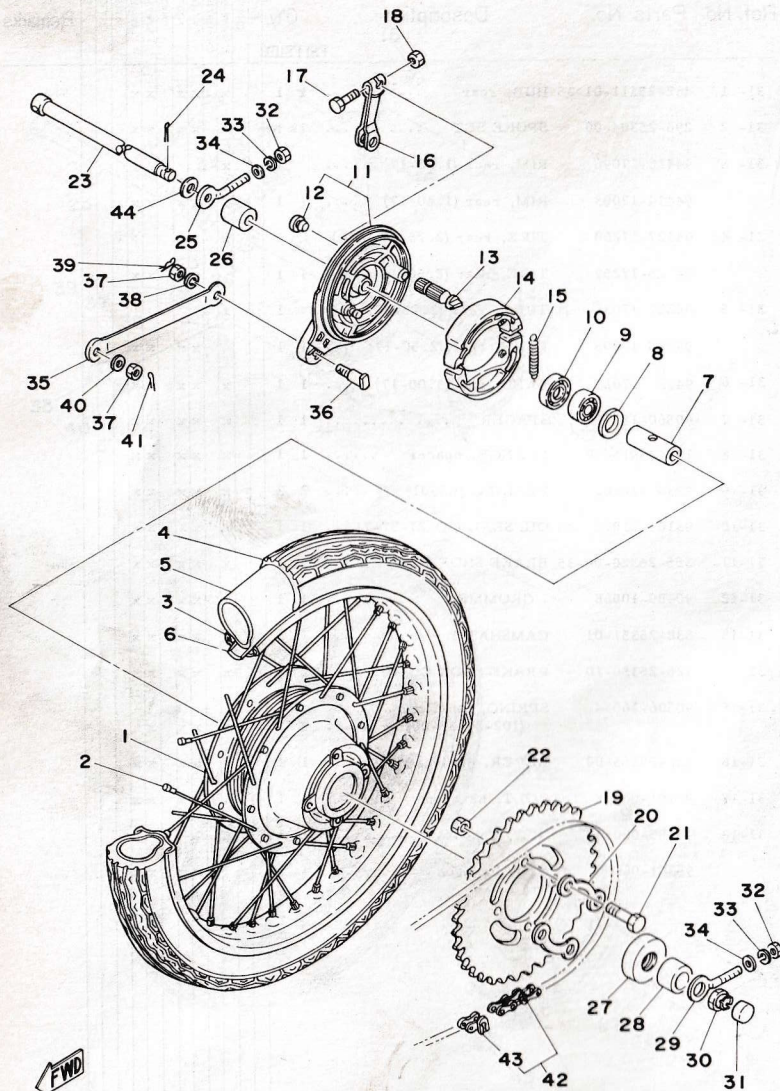
FWD

Fig. 31 REAR WHEEL



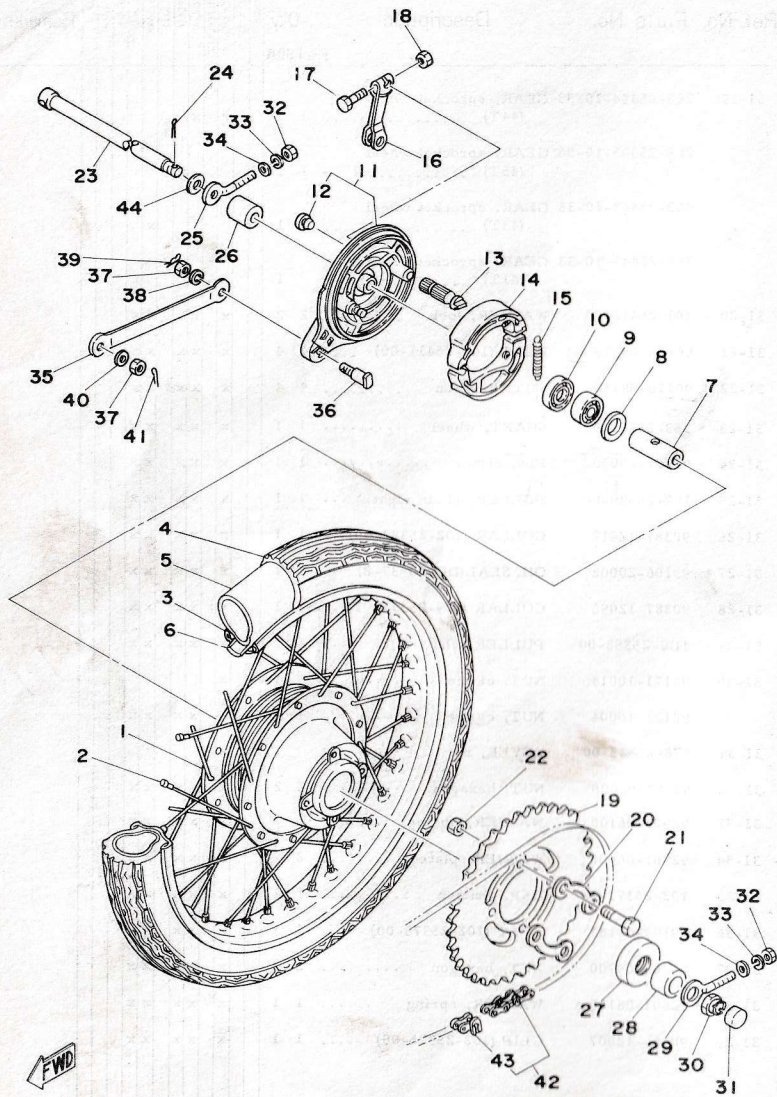
Ref. No.	Parts No.	Description	Q'ty	FSI FSIDX											Remarks
				FRANCE	HOLLAND	WEST GERMANY	SWITZERLAND	BELGIUM	SPAIN	DENMARK	NORWAY	AUSTRIA	ITALY	ENGLAND	
31- 1	462-25311-01-35	HUB, rear	1 1	x	x	x	x	x	x	x	x	x	x	x	Silver
31- 2	296-25304-00	SPOKE SET	1s 1s	x	x	x	x	x	x	x	x	x	x	x	
31- 3	94416-17096	RIM, rear (1.60-17)	1	x											
	94414-17003	RIM, rear (1.40-17)	1 1				x	x	x	x					
31- 4	94127-17260	TIRE, rear (2.75-17-6PR)	1	x											
	94125-17259	TIRE, rear (2.50-17-4PR)	1 1				x	x	x	x					
31- 5	94227-17032	TUBE, rear (2.75-17)	1	x											
	94225-17005	TUBE, rear (2.50-17)	1 1				x	x	x	x					
31- 6	94330-17023	BAND, rim (3.00-17)	1 1	x	x	x	x	x	x	x					
31- 7	90560-12170	SPACER	1 1	x	x	x	x	x	x	x					
31- 8	102-25315-00	FLANGE, spacer	1 1	x	x	x	x	x	x	x					
31- 9	93306-30101	BEARING (B6301)	2 2	x	x	x	x	x	x	x					
31-10	93104-21016	OIL SEAL (SO-21-37-7)	1 1	x	x	x	x	x	x	x					
31-11	355-25320-00-35	BRAKE SHOE PLATE ASS'Y	1 1	x	x	x	x	x	x	x					Silver
31-12	90480-10068	GROMMET	1 1	x	x	x	x	x	x	x					
31-13	538-25351-01	CAMSHAFT	1 1	x	x	x	x	x	x	x					
31-14	326-25330-10	BRAKE SHOE COMP.	2 2	x	x	x	x	x	x	x					
31-15	90506-16034	SPRING, tension (102-25333-00)	2 2	x	x	x	x	x	x	x					
31-16	538-25355-00	LEVER, camshaft	1 1	x	x	x	x	x	x	x					
31-17	90101-06278	BOLT, hexagon	1 1	x	x	x	x	x	x	x					
31-18	90185-06034	NUT, U	1	x											
	95301-06600	NUT, hexagon	1 1				x	x	x	x					

Fig. 31 REAR WHEEL



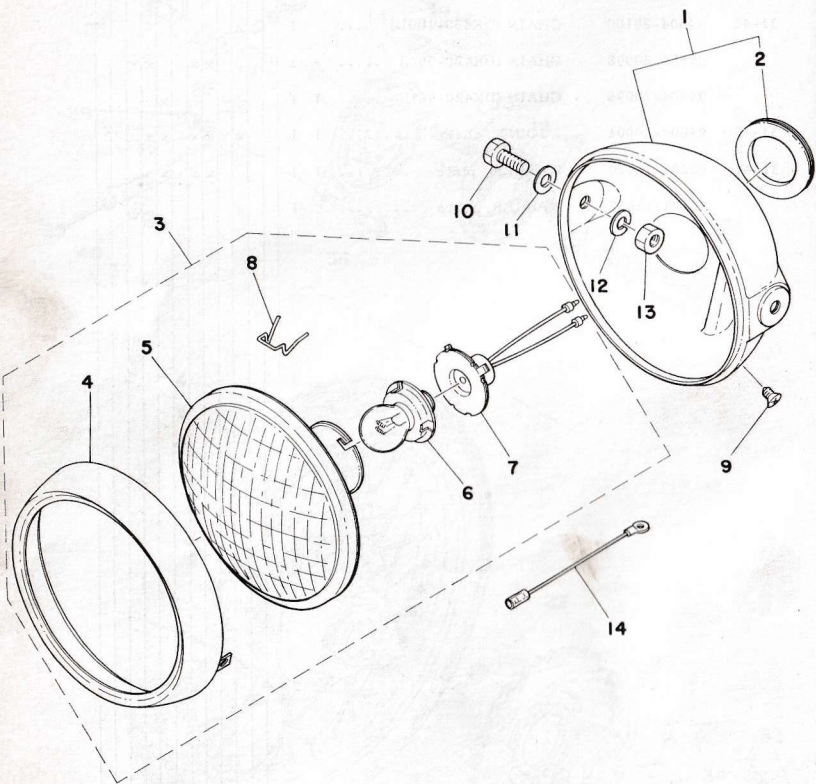
Ref. No.	Parts No.	Description	Q'ty	FSI FSI/DX										Remarks		
				FRANCE	HOLLAND	SWITZERLAND	W. GERMANY	BRITAIN	SWEDEN	FINLAND	NORWAY	AUSTRIA	ITALY			
31-19	288-25444-10-33	GEAR, sprocket wheel (44T)	1 1	x	x											
	288-25445-10-33	GEAR, sprocket wheel (45T)	1 1				x									
	462-25443-10-33	GEAR, sprocket wheel (43T)	1 1							x						
	288-25441-10-33	GEAR, sprocket wheel (41T)	1											x		
31-20	101-25412-00	WASHER, lock	2 2	x	x	x	x	x	x							
31-21	90109-08319	BOLT (109-25411-00)	4 4	x	x	x	x	x								
31-22	90170-08158	NUT, hexagon	4 4	x	x	x	x	x								
31-23	353-25381-00	SHAFT, wheel	1 1	x	x	x	x	x								
31-24	91401-20020	PIN, cotter	1 1	x	x	x	x	x								
31-25	102-25389-00	PULLER, chain right	1 1	x	x	x	x	x								
31-26	90387-12412	COLLAR (102-25383-00)	1 1	x	x	x	x	x								
31-27	93106-20002	OIL SEAL (DD-20-37-8)	1 1	x	x	x	x	x								
31-28	90387-12096	COLLAR (109-25377-01)	1 1	x	x	x	x	x								
31-29	1U0-25388-00	PULLER, chain left	1 1	x	x	x	x	x								
31-30	90171-10014	NUT, castle	1	x												
	90171-10004	NUT, castle	1 1		x	x										
31-31	478-25335-00	COVER, nut	1	x												
31-32	95301-06600	NUT, hexagon	2 2	x	x	x	x	x								
31-33	92901-06100	WASHER, spring	2 2	x	x	x	x	x								
31-34	92901-06600	WASHER, plate	2 2	x	x	x	x	x								
31-35	102-25371-00	BAR, tension	1 1	x	x	x	x	x								
31-36	90109-08183	BOLT (102-25373-00)	1 1	x	x	x	x	x								
31-37	95301-08700	NUT, hexagon	2 2	x	x	x	x	x								
31-38	92901-08100	WASHER, spring	1 1	x	x	x	x	x								
31-39	90468-12007	CLIP (102-25375-00)	1 1	x	x	x	x	x								

Fig. 31 REAR WHEEL



Ref. No.	Parts No.	Description	Q'ty	FSI FSIX										Remarks
				FRANCE	HOLLAND	SWITZERLAND	W. GERMANY	BELGIUM	SWEDEN	FINLAND	DENMARK	NORWAY	AUSTRIA	
31-40	92901-08600	WASHER, plate	1 1	x	x	x	x	x	x	x	x	x		
31-41	91401-20012	PIN, cotter	1 1	x	x	x	x	x	x	x	x	x		
31-42	94504-20100	CHAIN (DK420-100L)	1	x										
	94504-20098	CHAIN (DK420-98L)	1 1					x	x					
	94504-20096	CHAIN (DK420-96L)	1 1									x		
31-43	94604-20001	JOINT, chain	1 1	x	x	x	x	x	x	x	x	x		
31-44	90201-12174	WASHER, plate	1 1					x	x			x	x	
	90201-12657	WASHER, plate	1	x										

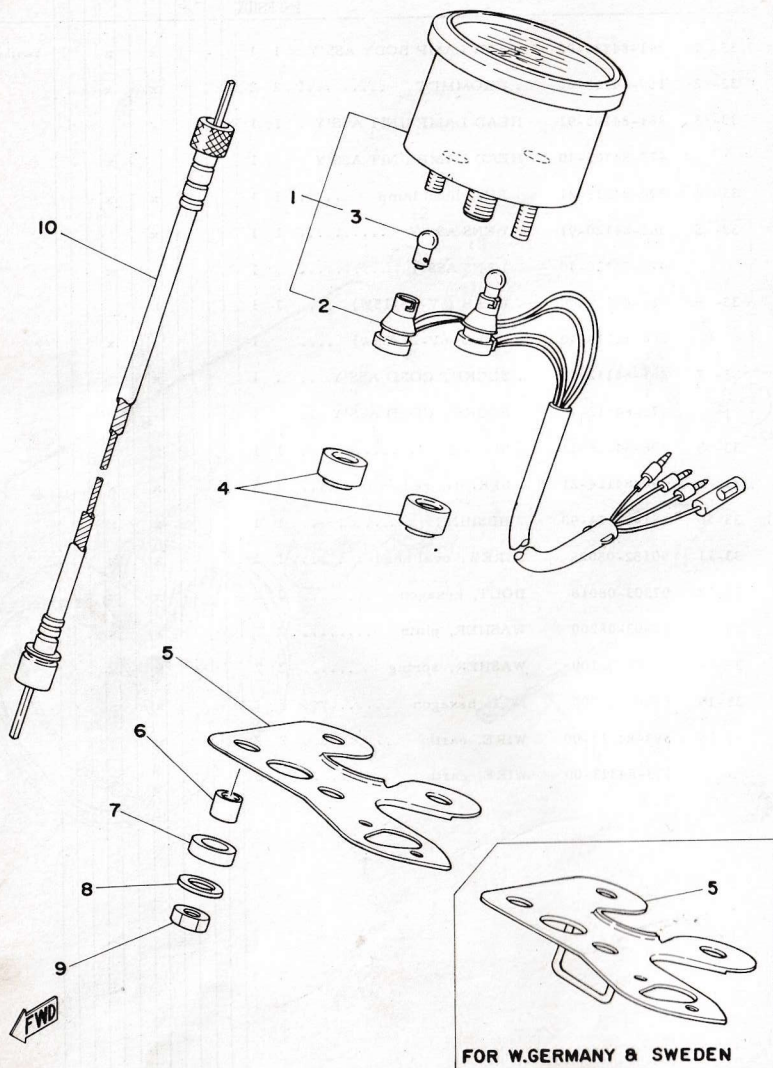
Fig. 32 HEAD LAMP '1



Ref. No.	Parts No.	Description	Q'ty	FSI FSIDX											Remarks	
				FRANCE	HOLLAND	SWITZERLAND	W. GERMANY	FINLAND	SWEDEN	DENMARK	NORWAY	AUSTRIA	ENGLAND	ITALY		
32- 1	241-84330-00-33	HEAD LAMP BODY ASS'Y	1 1		x	x			x							Yamaha Black
32- 2	150-84153-00	. GROMMET	2 2			x	x		x							
32- 3	468-84103-40	HEAD LAMP UNIT ASS'Y	1		x											
	260-84110-00	HEAD LAMP UNIT ASS'Y	1 1						x		x					
32- 4	195-84315-01	. RIM, head lamp	1 1		x	x			x							
32- 5	468-84120-40	. LENS ASS'Y	1		x											
	195-84320-00	. LENS ASS'Y	1 1						x		x					
32- 6	468-84114-40	. BULB (6V-15/15W)	1		x											*
	104-84114-00	. BULB (6V-15/15W)	1 1						x		x					
32- 7	468-84112-40	. SOCKET CORD ASS'Y	1		x											
	241-84312-00	. SOCKET CORD ASS'Y	1 1						x		x					
32- 8	195-84324-00	. SPRING, reflector set	3 3		x	x			x		x					
32- 9	195-85425-00	SCREW, rim fitting	1 1		x	x			x		x					
32-10	97303-08018	BOLT, hexagon	2 2		x	x			x		x					
32-11	92903-08200	WASHER, plain	2 2		x	x			x		x					
32-12	92901-08100	WASHER, spring	2 2		x	x			x		x					
32-13	95301-08700	NUT, hexagon	2 2		x	x			x		x					
32-14	173-84313-00	WIRE, earth	2 2		x											
	393-84313-00	WIRE, earth	2 2						x		x					

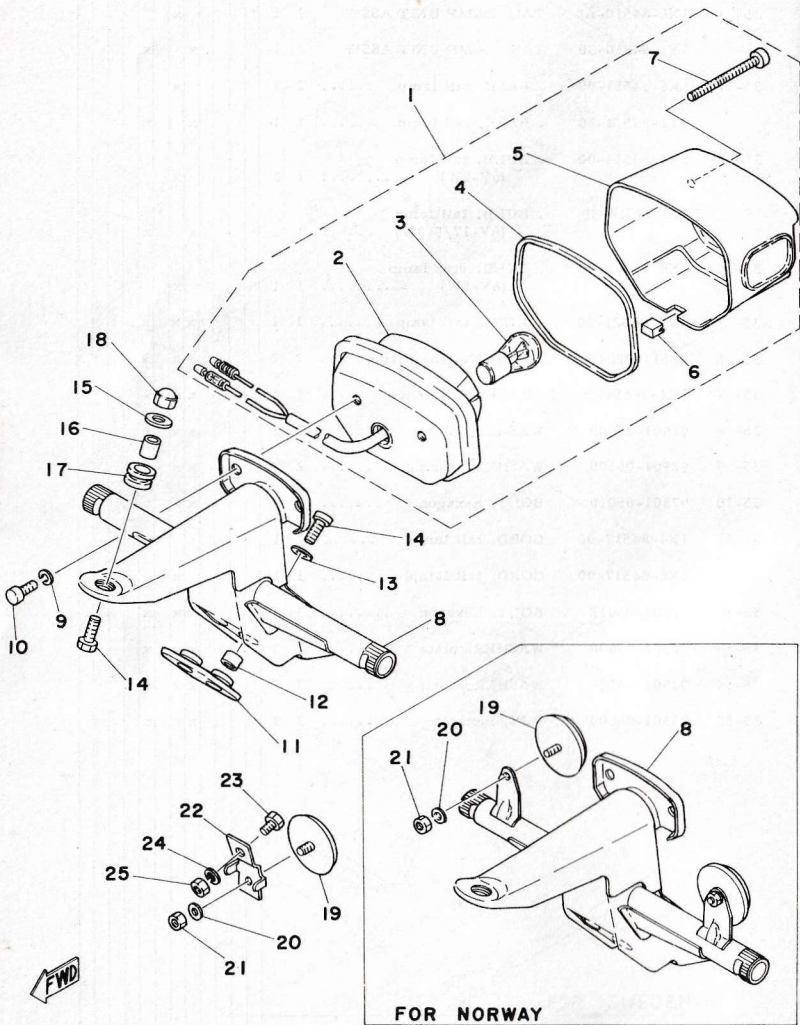
FWD

Fig. 34 SPEEDOMETER



Ref. No.	Parts No.	Description	Q'ty	FSI FSIX											Remarks
				FRANCE	HOLLAND	SWITZERLAND	W. GERMANY	GERMANY	SWEDEN	FINLAND	DENMARK	NORWAY	AUSTRIA	ITALY	
34- 1	552-83510-11	SPEEDOMETER ASS'Y ..	1 1	x	x	x	x	x	x	x	x	x	x	Km/h	
34- 2	552-83520-00	. SOCKET CORD ASS'Y ..	1 1	x	x	x	x	x	x	x	x	x	x		
34- 3	122-83516-10	. BULB (6V-3W)	2 2	x	x	x	x	x	x	x	x	x	x		
34- 4	1M3-83513-00	DAMPER 1	2 2	x	x	x	x	x	x	x	x	x	x		
34- 5	1Y2-83519-00-98	BRACKET, speedometer	1 1	x	x									Low Gloss Black	
	1U0-83519-00-98	BRACKET, speedometer	1 1			x								Low Gloss Black	
34- 6	355-83522-00	COLLAR	2 2	x	x	x	x	x	x	x	x	x	x		
34- 7	355-83526-00	DAMPER 2	2 2	x	x	x	x	x	x	x	x	x	x		
34- 8	355-83524-00	WASHER, special	2 2	x	x	x	x	x	x	x	x	x	x		
34- 9	95301-06600	NUT, hexagon	2 2	x	x	x	x	x	x	x	x	x	x		
34-10	260-83550-00	SPEEDOMETER CABLE ASS'Y	1				x	x	x						
	481-83550-00	SPEEDOMETER CABLE ASS'Y	1	x	x	x	x	x	x	x	x	x	x		

Fig. 36 TAIL LAMP 2

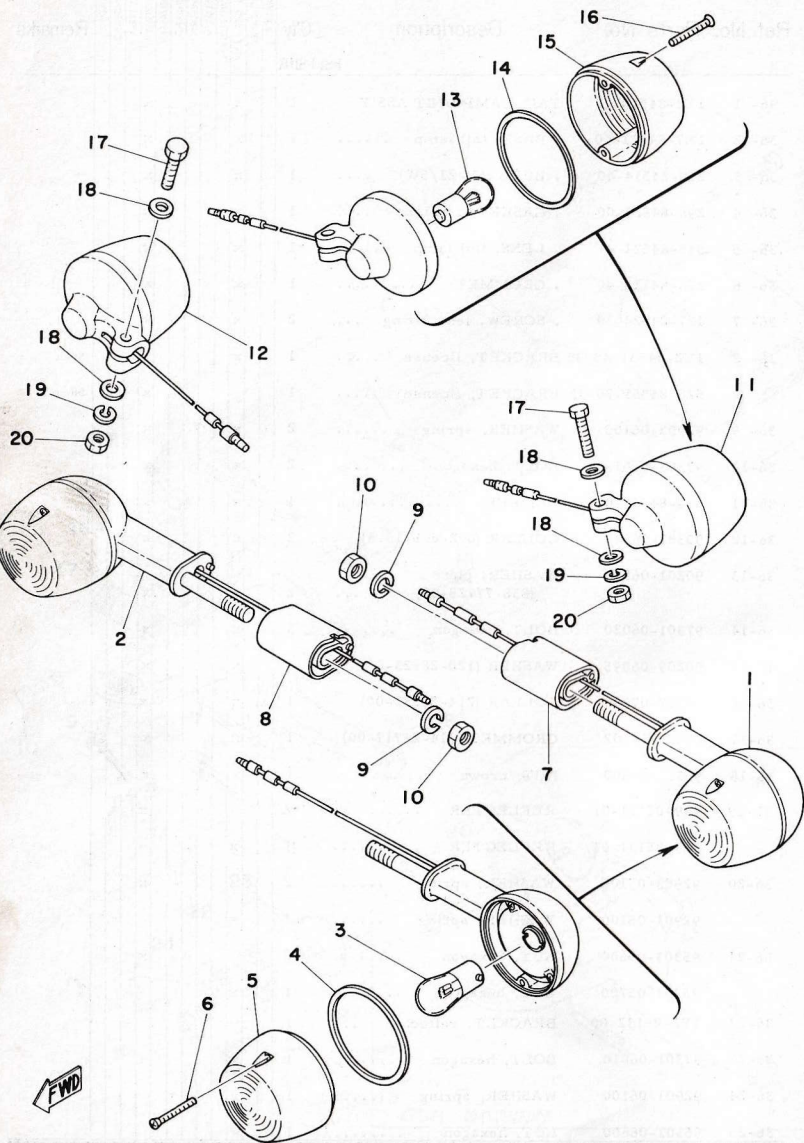


FWD

FOR NORWAY

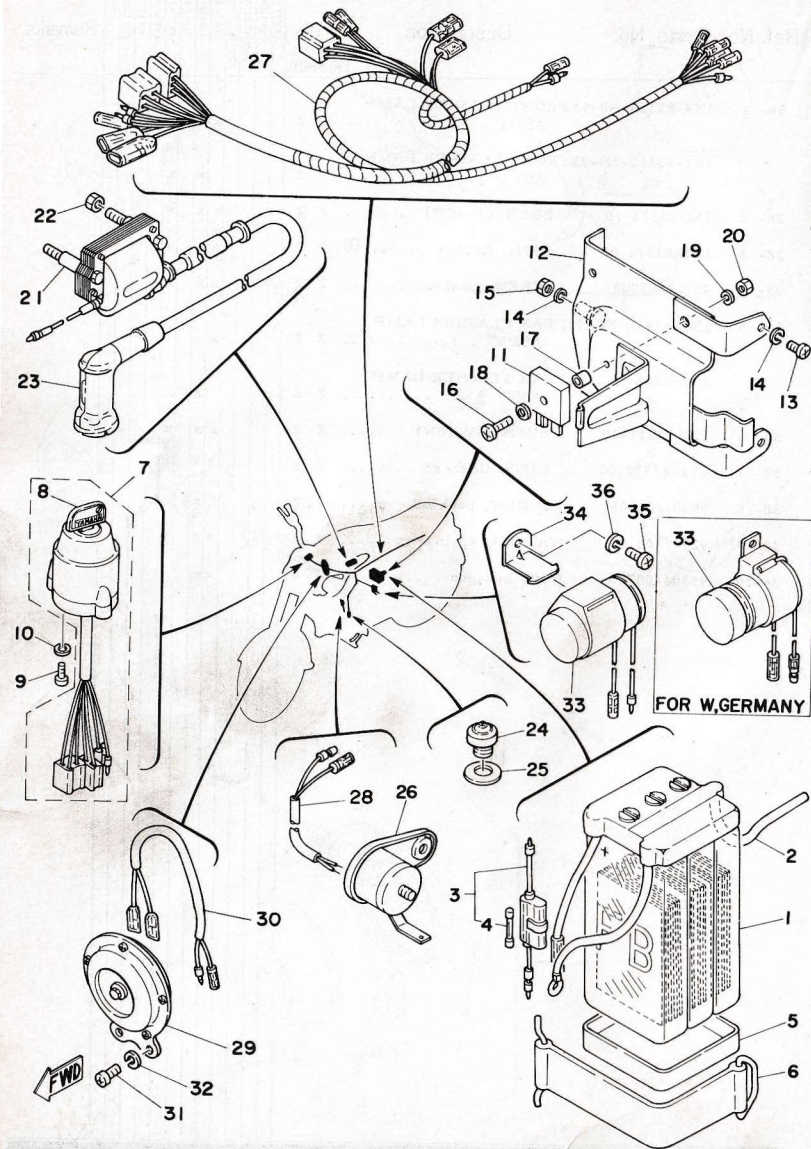
Ref. No.	Parts No.	Description	Q'ty	FSI FSIDX											Remarks	
				ITALY	ENGLAND	AUSTRIA	NORWAY	FINLAND	SWEDEN	BELGIUM	SWITZERLAND	W. GERMANY	HOLLAND	FRANCE		
36- 1	1Y2-84510-40	TAIL LAMP UNIT ASS'Y	1	x			x									
36- 2	1E7-84711-40	. BASE, tail lamp	1	x			x									
36- 3	260-84514-40	. BULB (6V-21/5W)	1	x			x									*
36- 4	296-84523-00	. GASKET, tail lens	1	x			x									
36- 5	543-84521-41	. LENS, tail lamp	1	x			x									
36- 6	278-84718-40	. GROMMET	1	x			x									
36- 7	127-84524-30	. SCREW, lens fitting	2	x			x									
36- 8	1Y2-84551-40-35	BRACKET, license	1	x												Silver
	526-84551-70-35	BRACKET, license	1				x									Silver
36- 9	92903-06100	WASHER, spring	2	x			x									
36-10	97303-06012	BOLT, hexagon	2	x			x									
36-11	214-84553-01	DAMPER	1	x			x									
36-12	90387-06241	COLLAR (6.2-8.5-10.5)	2	x			x									
36-13	90201-06059	WASHER, plate (838-77728-00)	2	x			x									
36-14	97301-06020	BOLT, hexagon	3	x			x									
36-15	90209-06095	WASHER (120-28323-00)	1	x			x									
36-16	90387-07390	COLLAR (214-21633-00)	1	x			x									
36-17	90480-14102	GROMMET (214-21717-00)	1	x			x									
36-18	95303-06800	NUT, crown	1	x			x									
36-19	449-85131-01	REFLECTER	2				x									
	449-85131-01	REFLECTER	1	x												
36-20	92903-05100	WASHER, spring	2				x									
	92901-05100	WASHER, spring	1	x												
36-21	95303-05600	NUT, hexagon	2				x									
	95301-05700	NUT, hexagon	1	x												
36-22	1Y2-85132-00	BRACKET, reflector	1	x			x									
36-23	97301-06010	BOLT, hexagon	1	x			x									
36-24	92901-06100	WASHER, spring	1	x			x									
36-25	95301-06600	NUT, hexagon	1	x			x									

Fig. 37 FLASHER LAMP 1



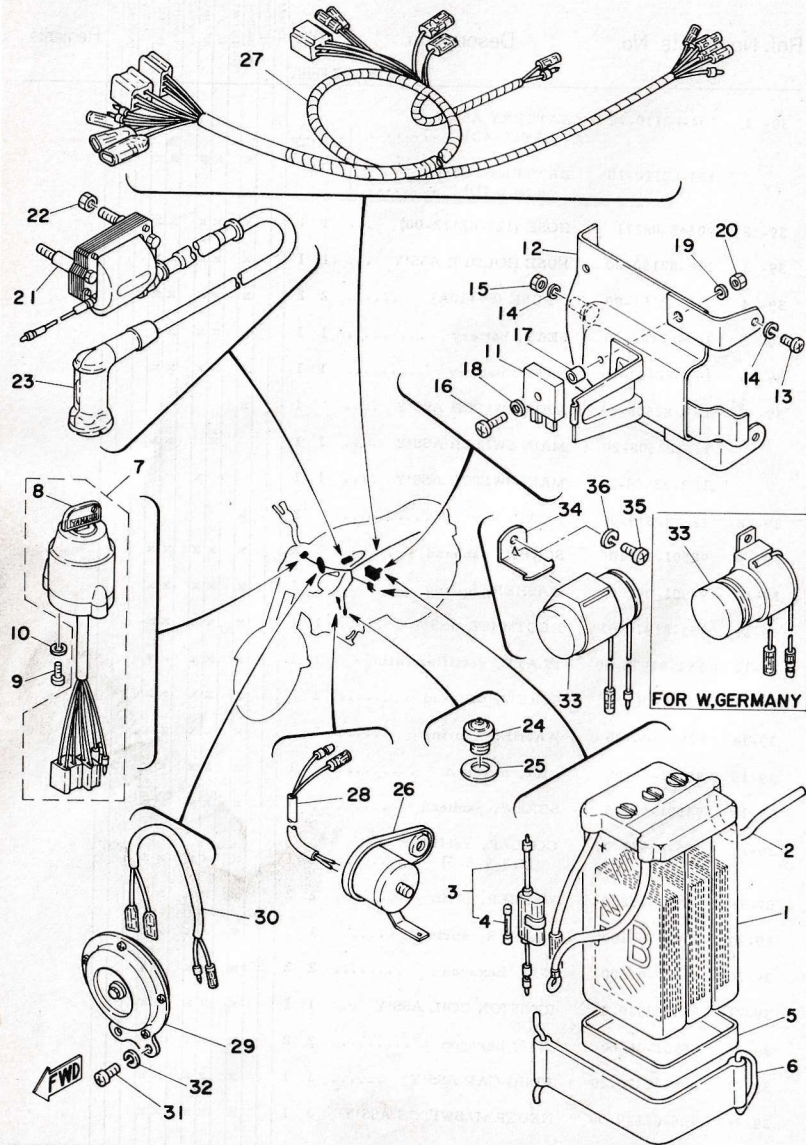
Ref. No.	Parts No.	Description	Q'ty	FSI FSIX											Remarks	
				FRANCE	HOLLAND	GERMANY	SWITZERLAND	SPAIN	FINLAND	DENMARK	NORWAY	ENGLAND	ITALY			
37- 1	353-83310-30-93	FRONT FLASHER LAMP ASS'Y, left	1	x						x						
37- 2	353-83320-30-93	FRONT FLASHER LAMP ASS'Y, right	1	x							x					
37- 3	308-83311-30	. BULB (6V-21W)	2	x							x					*
37- 4	183-83313-70	. GASKET, flasher lens	2	x							x					
37- 5	183-83312-70	. LENS, flasher	2	x							x					
37- 6	183-83333-71	. SCREW, lens fitting ..	4	x							x					
37- 7	353-83316-30	COLLAR, flasher 1	1	x							x					
37- 8	353-83326-30	COLLAR, flasher 2	1	x							x					
37- 9	92901-08100	WASHER, spring	2	x							x					
37-10	95303-08700	NUT, hexagon	2	x							x					
37-11	474-83330-30-93	REAR FLASHER LAMP ASS'Y, left	1	x							x					
37-12	474-83340-30-93	REAR FLASHER LAMP ASS'Y, right	1	x							x					
37-13	308-83311-30	. BULB (6V-21W)	2	x							x					*
37-14	306-83313-40	. GASKET, flasher lens	2	x							x					
37-15	306-83332-40	. LENS, flasher	2	x							x					
37-16	183-83333-71	. SCREW, lens fitting ...	4	x							x					
37-17	97303-06030	BOLT, hexagon	2	x							x					
37-18	92903-06200	WASHER, plain	4	x							x					
37-19	92903-06100	WASHER, spring	2	x							x					
37-20	95301-06600	NUT, hexagon	2	x							x					

Fig. 39 ELECTRICAL



Ref. No.	Parts No.	Description	Q'ty											Remarks		
				FSI	FSUX	FRANCE	HOLLAND	W. GERMANY	SWITZERLAND	BELGIUM	SWEDEN	FINLAND	AUSTRIA		ENGLAND	ITALY
39- 1	104-82110-10	BATTERY ASS'Y (6N4A-4D)	1 1													U.R.U.R.
	104-82110-20	BATTERY ASS'Y (6N4A-4D)		x	x											
39- 2	90445-08171	HOSE (123-82112-00) ...	1 1	x	x	x										
39- 3	116-82150-00	FUSE HOLDER ASS'Y ...	1 1	x	x	x										
39- 4	116-82151-00	. FUSE (6V-10A)	2 2	x	x	x										
39- 5	104-82122-00	SEAT, battery	1 1	x	x	x										
39- 6	1Y1-82131-00	BAND, battery	1 1	x	x	x										
39- 7	1K0-82508-45	MAIN SWITCH ASS'Y	1	x												
	1J5-82508-20	MAIN SWITCH ASS'Y	1 1					x								
	1K2-82508-20	MAIN SWITCH ASS'Y	1 1							x						
39- 8	526-82579-00	. CAP, key	3	x												
39- 9	98501-05010	SCREW, panhead	2 2	x	x	x										
39-10	92901-05100	WASHER, spring	2 2	x	x	x										
39-11	353-81970-63	RECTIFIER ASS'Y	1 1	x	x	x										
39-12	1Y1-81975-00	PLATE, rectifier fitting	1 1	x	x	x										
39-13	92501-06012	SCREW, panhead	2 2	x	x	x										
39-14	92901-06100	WASHER, spring	3 3	x	x	x										
39-15	95301-06600	NUT, hexagon	1 1	x	x	x										
39-16	98501-05025	SCREW, panhead	1 1	x	x	x										
39-17	355-81973-00	COLLAR, rectifier (5.3-9-6.5)	1 1	x	x	x										
39-18	92901-05200	WASHER, plain	2 2	x	x	x										
39-19	92901-05100	WASHER, spring	1 1	x	x	x										
39-20	95301-05600	NUT, hexagon	2 2	x	x	x										
39-21	355-82310-40	IGNITION COIL ASS'Y ...	1 1	x	x	x										
39-22	95301-06600	NUT, hexagon	2 2	x	x	x										
39-23	808-82370-10	PLUG CAP ASS'Y	1 1	x	x	x										
39-24	136-82540-00	NEUTRAL SWITCH ASS'Y	1 1	x	x	x										

Fig. 39 ELECTRICAL



Ref. No.	Parts No.	Description	Q'ty	FSI FSIIX											Remarks
				FRANCE	HOLLAND	W.GERMANY	SCOTLAND	SWEDEN	FINLAND	DENMARK	NORWAY	AUSTRIA	ENGLAND	ITALY	
39-25	90430-11034	GASKET	1 1	x	x	x	x	x	x	x	x	x	x		
39-26	122-82530-00	STOP SWITCH ASS'Y	1 1	x	x	x	x	x	x	x	x	x	x		
39-27	1U1-82590-20	WIRE HARNESS ASS'Y	1 1	x	x	x	x	x	x	x	x	x	x		
	471-82590-20	WIRE HARNESS ASS'Y	1 1							x					
39-28	471-82531-00	WIRE, lead	1 1	x	x	x	x	x	x	x	x	x	x		
39-29	260-83371-12	HORN	1 1			x	x	x	x	x	x	x	x		
39-30	260-83373-00	LEAD, horn	1 1			x	x	x	x	x	x	x	x		
	447-83373-00	LEAD, horn	1	x											
39-31	92501-06010	SCREW, panhead	2 2			x	x	x	x	x	x	x	x		
39-32	92901-06100	WASHER, spring	2 2			x	x	x	x	x	x	x	x		
39-33	375-83350-30	FLASHER RELAY ASS'Y	1	x							x				
	1K1-83350-11	FLASHER RELAY ASS'Y	1 1				x	x	x	x	x	x	x		
39-34	474-83352-00	BRACKET, flasher relay	1 1	x		x	x	x	x	x	x	x	x		
39-35	92501-06012	SCREW, panhead	1 1	x		x	x	x	x	x	x	x	x		
39-36	92901-06100	WASHER, spring	1 1	x		x	x	x	x	x	x	x	x		

REPAIR KIT



Fig. 40 REPAIR KIT

Ref. No.	Parts No.	Description	Q'ty	FSI FSIDX											Remarks	
				FRANCE	HOLLAND	SWITZERLAND	WEST GERMANY	BEIJING	FINLAND	SWEDEN	DENMARK	NORWAY	AUSTRIA	ENGLAND		ITALY
40- 1	260-11630-00	PISTON ASS'Y	1s 1s	x	x	x	x	x	x	x	x	x	x	x		
40- 2	109-11631-02-96	. PISTON (39.96mm STD)	U.R.U.R 1 1	x	x	x	x	x	x	x	x	x	x	x		}
	109-11631-02-98	. PISTON (39.98mm STD)		x	x	x	x	x	x	x	x	x	x	x	x	
	109-11635-02	. PISTON (40.25mm 1st O.S)	1 1	x	x	x	x	x	x	x	x	x	x	x		} Ref. No. 3-8
	109-11636-02	. PISTON (40.50mm 2nd O.S)	1 1	x	x	x	x	x	x	x	x	x	x	x		
	109-11637-02	. PISTON (40.75mm 3rd O.S)	1 1	x	x	x	x	x	x	x	x	x	x	x		
	109-11638-02	. PISTON (41.00mm 4th O.S)	1 1	x	x	x	x	x	x	x	x	x	x	x		
40- 3	260-11601-00	. PISTON RING SET (STD)	1s 1s	x	x	x	x	x	x	x	x	x	x	x		} 3-11
	260-11601-10	. PISTON RING SET (1st O.S)	1s 1s	x	x	x	x	x	x	x	x	x	x	x		
	260-11601-20	. PISTON RING SET (2nd O.S)	1s 1s	x	x	x	x	x	x	x	x	x	x	x		
	260-11601-30	. PISTON RING SET (3rd O.S)	1s 1s	x	x	x	x	x	x	x	x	x	x	x		
	260-11601-40	. PISTON RING SET (4th O.S)	1s 1s	x	x	x	x	x	x	x	x	x	x	x		
40- 4	102-11633-01	. PIN, piston	1 1	x	x	x	x	x	x	x	x	x	x	x		3-9
40- 5	93450-13022	. CIRCLIP (132-11634-00)	2 2	x	x	x	x	x	x	x	x	x	x	x		3-10
40- 6	517-11650-00	CONNECTING ROD ASS'Y	1s 1s	x	x	x	x	x	x	x	x	x	x	x		3-4
40- 7	517-11651-00	. ROD, connecting	1 1	x	x	x	x	x	x	x	x	x	x	x		3-5
40- 8	93310-41810	. BEARING, big end	1 1	x	x	x	x	x	x	x	x	x	x	x		3-6
40- 9	257-11681-00	. PIN, crank	1 1	x	x	x	x	x	x	x	x	x	x	x		3-7
40-10	93310-11268	. BEARING, small end	1 1	x	x	x	x	x	x	x	x	x	x	x		
40-11	471-00000-20	GASKET KIT	1s 1s													
	1Y2-W0001-00	GASKET KIT	1s 1s	x												
	1Y5-W0001-00	GASKET KIT	1s 1s				x									
	1X5-W0001-00	GASKET KIT	1s 1s					x								
	1Y4-W0001-00	GASKET KIT	1s 1s											x		

Ref. No.	Parts No.	Description	Q'ty	FSI FSIDX											Remarks	
				FRANCE	HOLLAND	SWITZERLAND	WEST GERMANY	BEIJING	FINLAND	SWEDEN	DENMARK	NORWAY	AUSTRIA	ENGLAND		ITALY
40-12	109-11351-00	. GASKET, cylinder	1 1	x	x	x	x	x	x	x	x	x	x	x		Ref.No 1-11
40-13	468-11181-00	. GASKET, cylinder head	1	x												} 1-13
40-14	517-11181-00	. GASKET, cylinder head	1 1					x								
40-15	381-11181-60	. GASKET, cylinder head	1 1							x						
40-16	1X5-11181-00	. GASKET, cylinder head	1 1							x						
40-17	90430-12038	. GASKET (132-15353-00)	1 1	x	x	x	x	x	x	x	x	x	x	x		1-18
40-18	378-15451-60	. GASKET, crankcase cover	1 1	x	x	x	x	x	x	x	x	x	x	x		2-12
40-19	257-15463-00	. GASKET, carburetor cover	1 1	x	x	x	x	x	x	x	x	x	x	x		2-19
40-20	378-13621-60	. PACKING, valve seat	1 1	x	x	x	x	x	x	x	x	x	x	x		9-19
40-21	260-14184-00	. GASKET, float chamber	1 1	x	x	x	x	x	x	x	x	x	x	x		10-5
40-22	93220-08002	. O-RING	1 1	x	x	x	x	x	x	x	x	x	x	x		10-6
40-23	132-14613-00	. GASKET, exhaust	1 1	x	x	x	x	x	x	x	x	x	x	x		11-3
40-24	1M3-14714-00	. GASKET, muffler joint	1 1	x												11-5
40-25	1J5-14714-00	. GASKET, muffler joint	1 1							x	x	x	x	x		
40-26	126-13116-00	. GASKET, pump case	1 1	x	x											12-1
40-27	90430-04004	. GASKET (137-13187-00)	1 1	x	x											12-8
40-28	1Y3-W0003-00	OIL SEAL KIT	1s 1s	x	x											
	1K3-00000-60	OIL SEAL KIT	1s 1s							x	x	x	x	x		
40-29	93103-25078	. OIL SEAL (SW-25-35-10)	1 1	x	x	x	x	x	x	x	x	x	x	x		1-21
40-30	93102-20009	. OIL SEAL (SD-20-35-7)	1 1	x	x	x	x	x	x	x	x	x	x	x		3-18
40-31	93108-15001	. OIL SEAL (OSO-15.3-22-7)	1 1	x	x	x	x	x	x	x	x	x	x	x		4-19
40-32	257-15389-00	. SEAL, push rod	1 1	x	x	x	x	x	x	x	x	x	x	x		5-7
40-33	93102-25017	. OIL SEAL (SD-25-40-5)	1 1	x	x	x	x	x	x	x	x	x	x	x		5-27
40-34	93101-12004	. OIL SEAL (S-12-22-5)	1 1	x	x	x	x	x	x	x	x	x	x	x		7-6
40-35	93109-15001	. OIL SEAL (SDO-15-26-6)	1 1	x	x	x	x	x	x	x	x	x	x	x		8-9
40-36	93101-10001	. OIL SEAL (S-10-21-5)	1 1	x	x											12-6

NUMERICAL INDEX



NUMERICAL INDEX

Ref No.	Parts No.	Ref No.	Parts No.	Ref No.	Parts No.
24- 2	1A0-20000-10	34- 4	1M3-83513-00	22-36	1Y0-26290-00
18- 8	1A0-21518-00	20-25	1N1-23158-00	22-35	1Y0-26290-10
25- 4	1A0-24161-00	20-19	1T8-23111-00	22-35	1Y0-26290-10
24- 6	1A0-25824-01	20-18	1T8-23112-00	22-15	1Y0-26311-00
24- 1	1A0-25850-02	20-17	1T8-23114-00	22-23	1Y0-26335-00
24- 3	1A0-25854-01	20- 4	1T8-23145-00	22-25	1Y0-26341-00
24- 4	1A0-25855-01	20- 5	1T8-23156-00	24- 2	1Y1-W0041-00
24- 5	1A0-25893-01	31-29	1U0-25388-00	15-26	1Y1-21245-00
23-17	1A0-83922-00	34- 5	1U0-83519-00-98	15-27	1Y1-21286-00
36- 2	1E7-84711-40	18- 1	1U1-21510-00-93	15-14	1Y1-21711-00
24- 5	1J3-25852-01	19- 1	1U1-23101-11	15-15	1Y1-21714-00
24- 3	1J3-25854-01	19- 1	1U1-23101-31	15-17	1Y1-21721-00
24- 4	1J3-25855-01	19- 2	1U1-23126-11-35	15-17	1Y1-21721-10
24- 7	1J3-25867-00	19- 3	1U1-23136-11-35	15-18	1Y1-21724-00
10- 1	1J5-14101-00	39-27	1U1-82590-20	26- 1	1Y1-21750-00
11- 6	1J5-14710-00	22-14	1V1-26243-00	26- 4	1Y1-2176A-00
11- 4	1J5-14713-00	23-12	1V1-26243-00	26- 3	1Y1-21763-00
11- 5	1J5-14714-00	22-15	1X3-26311-00	26- 2	1Y1-21764-00
15-22	1J5-21308-00	23-23	1X4-26311-00	26- 5	1Y1-21770-00
21-18	1J5-23480-00	23-23	1X4-26311-20	26- 6	1Y1-21772-00
25- 1	1J5-24110-01-X0	38- 1	1X4-83310-N0-93	26-13	1Y1-21776-00
25- 1	1J5-24110-01-X1	38- 5	1X4-83330-N0-93	15-20	1Y1-21781-00
25- 1	1J5-24110-01-X2	35-11	1X4-84517-00	15-20	1Y1-21781-09
25- 1	1J5-24110-01-07	35- 4	1X4-84535-00	15-20	1Y1-21781-20
25- 1	1J5-24110-01-08	35- 7	1X4-84551-00-35	15-20	1Y1-21781-30
39- 7	1J5-82508-20	40-11	1X5-W0001-00	15-20	1Y1-21781-40
20-20	1K0-23340-30-33	1-13	1X5-11181-00	15-21	1Y1-21782-00
24-13	1K0-25872-01	10- 1	1X5-14101-00	15-21	1Y1-21782-09
24-13	1K0-25872-02	10-36	1X5-14195-00	15-21	1Y1-21782-20
24-14	1K0-25875-01	11- 6	1X5-14710-00	15-21	1Y1-21782-30
39- 7	1K0-82508-45	2-11	1X5-15420-60	15-21	1Y1-21782-40
23- 3	1K0-83973-01	18- 1	1X5-21510-00-93	26- 8	1Y1-21796-00
39-33	1K1-83350-11	22- 2	1X5-82710-20	16-17	1Y1-22210-20-93
39- 7	1K2-82508-20	18- 9	1X6-21610-00-93	20- 1	1Y1-23101-00
23- 3	1K2-83973-01	16- 1	1X6-22110-00-33	20-14	1Y1-23122-00
40-28	1K3-00000-60	35- 1	1X6-84510-A0	20- 2	1Y1-23126-00
28-21	1K8-25120-00-35	35- 2	1X6-84511-00	20- 6	1Y1-23134-00
13-10	1K8-81325-20	35-11	1X6-84517-00	20- 3	1Y1-23136-00
11- 5	1M3-14714-00	18- 9	1X9-21610-00-93	20- 7	1Y1-23152-00
11-12	1M3-27114-00	16- 1	1X9-22110-00-33		
		27- 1	1X9-24730-90		
		22- 1	1Y0-26111-00		

NUMERICAL INDEX

Ref No.	Parts No.	Ref No.	Parts No.	Ref No.	Parts No.
20- 8	1Y1-23157-00	27- 1	1Y2-24730-90	3- 8	109-11638-02
20- 9	1Y1-23170-00	27- 3	1Y2-24785-00-E1	11- 4	109-14713-00
25- 2	1Y1-24244-00	27- 3	1Y2-24785-00-J5	16- 3	109-22141-00
25- 3	1Y1-24245-00	27- 3	1Y2-24785-00-U2	19- 6	109-23125-00
27- 1	1Y1-24730-00-E1	27- 3	1Y2-24785-00-20	19- 9	109-23143-00
27- 1	1Y1-24730-00-J5	27- 3	1Y2-24785-10	19- 8	109-23145-01
27- 1	1Y1-24730-00-U2	34- 5	1Y2-83519-00-98	28- 2	109-25104-00
27- 1	1Y1-24730-00-20	36- 1	1Y2-84510-40	28-31	109-25136-00
27- 1-a	1Y1-24730-00-90	36- 8	1Y2-84551-40-35	29- 8	109-25315-00
27- 1	1Y1-24730-00-93	36-22	1Y2-85132-00	22-25	109-26341-20
27- 3	1Y1-24785-00-E1	40-28	1Y3-W0003-00	17- 5	109-27115-00
27- 3	1Y1-24785-00-J5	40-11	1Y4-W0001-00	14-13	109-81328-11
27- 3	1Y1-24785-00-U2	11- 6	1Y4-14710-00	22- 7	109-82820-12-94
27- 3	1Y1-24785-00-20	40-11	1Y5-W0001-00	13-14	110-81345-21
27- 3	1Y1-24785-10	9-20	1Y5-13505-00	14-14	110-81345-21
27- 4	1Y1-24789-00	9- 7	1Y5-14453-00	13- 9	110-81346-21
24- 1	1Y1-25850-00	22-16	1Y6-26312-00	14- 9	110-81346-21
24-13	1Y1-25872-00	23-24	1Y6-26312-00	13-12	110-81347-21
23-44	1Y1-26290-00	20-30	101-21279-00	14-12	110-81347-21
23-43	1Y1-26290-10	31-20	101-25412-00	13- 6	110-81348-21
23-43	1Y1-26290-10	3- 9	102-11633-01	14- 6	110-81348-21
23-23	1Y1-26311-00	29-19	102-18416-00	13-11	116-81331-20
23-23	1Y1-26311-20	16- 2	102-22123-00	39- 3	116-82150-00
23-30	1Y1-26335-00	25-12	102-24522-01	39- 4	116-82151-00
23-30	1Y1-26335-20	28-34	102-25137-00	8-15	117-15644-00
39-12	1Y1-81975-00	31- 8	102-25315-00	10-14	118-14116-02
39- 6	1Y1-82131-00	31-35	102-25371-00	16-12	120-27431-00
38- 1	1Y1-83310-N0-93	31-25	102-25389-00	16-13	120-27433-00
38- 3	1Y1-83312-00	13-13	104-81328-20	9- 3	122-14412-00
38- 7	1Y1-83312-00	39- 1	104-82110-10	11- 2	122-14612-02
38- 5	1Y1-83330-N0-93	39- 1	104-82110-20	8- 2	122-15612-02
35- 1	1Y1-84510-30	39- 5	104-82122-00	4- 4	122-16164-00
35- 2	1Y1-84511-30	32- 6	104-84114-00	4-15	122-16164-00
35- 5	1Y1-84521-30	1-11	109-11351-00	18- 4	122-21517-00
40-11	1Y2-W0001-00	3- 8	109-11631-02-96	16- 6	122-22151-00
9-20	1Y2-13505-00	3- 8	109-11631-02-98	20-23	122-23119-01
16- 1	1Y2-22110-00-33	3- 8	109-11635-02	20-24	122-23129-00
16-17	1Y2-22210-20-93	3- 8	109-11636-02	19-21	122-23346-01
20- 1	1Y2-23101-30	3- 8	109-11637-02	20-21	122-23346-01
				25- 5	122-24181-00

NUMERICAL INDEX

Ref No.	Parts No.	Ref No.	Parts No.	Ref No.	Parts No.
25-13	122-24521-00	11- 3	132-14613-00	23-40	168-83936-01
25-15	122-24532-00	5-20	132-15653-00-10	15-24	169-23480-10
25- 7	122-24610-01	5-20	132-15653-00-12	32-14	173-84313-00
17- 8	122-27413-00	5-20	132-15653-00-14	33-16	173-84313-00
17- 2	122-27112-00	8-13	132-15664-01	10-23	180-14158-01
39-26	122-82530-00	8-11	132-15676-01	10-24	180-14168-00
34- 3	122-83516-10	2- 2	132-16346-00	16- 7	180-22117-00
35- 3	122-84514-30	7-10	132-18113-01	17-11	180-27231-01
12- 1	126-13116-00	6-16	132-18140-01	21- 5	183-23411-00
26-11	126-24319-01	22- 1	132-26111-01	21- 4	183-23412-00
10-11	127-14123-00	22-25	132-26341-10	28-19	183-25149-00
10-26	127-14124-23	15-30	133-82131-00	22- 1	183-26111-20
10-34	127-14125-01	10-14	134-14116-03	37- 5	183-83312-70
10-20	127-14131-00	21- 6	136-23415-00	37- 4	183-83313-70
10-21	127-14133-00	39-24	136-82540-00	37- 6	183-83333-71
10-12	127-14134-00	12-13	137-13137-00-10	37-16	183-83333-98
10-18	127-14137-00	12-14	137-13138-01	21- 8	185-23435-00-98
10- 2	127-14141-10	12- 5	137-13176-00	28- 8	195-25115-00
10- 2	127-14141-14	4-11	137-16356-00	28- 7	195-25117-09
10- 2	127-14141-16	22-18	137-26261-01	32- 4	195-84315-01
10- 3	127-14143-13	23-26	137-26261-01	32- 5	195-84320-00
10- 3	127-14143-14	22-15	137-26311-60	32- 8	195-84324-00
10- 3	127-14143-15	22- 3	137-83912-02-38	32- 9	195-85425-00
10- 3	127-14143-19	22- 5	137-83913-01	19-12	196-23191-40
10- 3	127-14143-20	22-10	137-83913-01	27-12	206-24830-00
10- 3	127-14143-21	32- 2	150-84153-00	19-18	207-23112-00
10- 3	127-14143-21	33- 2	150-84153-00	19-16	207-23116-01
10- 3	127-14143-22	10-29	152-14174-00	20-16	207-23116-01
10- 3	127-14143-23	38- 2	152-83311-10	19-10	207-23117-00
10- 3	127-14143-30	38- 6	152-83311-10	19-11	207-23141-10
10- 3	127-14143-32	10-28	156-14135-00	19- 4	207-23147-00
10- 3	127-14143-34	8- 6	156-15618-01	19-15	207-23163-00
10- 3	127-14143-34	21- 1	156-23411-00	20-15	207-23163-00
10- 3	127-14143-36	21- 3	156-23412-00	23-24	207-26312-00
10- 3	127-14143-38	2- 5	164-15415-00	17- 1	207-27111-00
10-25	127-14161-00	6-12	164-18561-00	13- 4	207-81312-21
36- 7	127-84524-30	26- 7	164-21778-00	13- 5	207-81313-21
2-23	129-15489-10	22-24	164-26363-00	14- 8	207-81321-10
4- 6	131-16321-00	23-31	164-26363-00	14-10	207-81326-10

NUMERICAL INDEX

Ref No.	Parts No.	Ref No.	Parts No.	Ref No.	Parts No.
14-11	207-81331-10	8-18	257-15668-00	3-11	260-11601-30
19-14	209-23122-40	3-14	257-16111-01	3-11	260-11601-40
19-13	209-23142-40	4- 2	257-16150-02	40- 1	260-11630-00
20-13	209-23142-40	4- 1	257-16301-02	10-13	260-14142-25
19- 7	209-23150-41	4- 7	257-16324-00	10- 7	260-14181-00
27-13	212-24832-00	4-21	257-16341-00	10- 5	260-14184-00
27-14	212-24833-00	4-18	257-16342-00	10-10	260-14190-12
22-15	212-26311-00	4- 8	257-16351-00	16- 8	260-22311-00-35
23- 6	214-83912-00	4-17	257-16357-00	16- 8	260-22311-00-93
23- 8	214-83913-00	4- 5	257-16371-00	19-19	260-23111-40
36-11	214-84553-01	5- 4	257-17121-00	19-23	260-23121-40-33
22- 8	232-83922-31-38	5- 2	257-17131-01	20-27	260-23121-40-33
23- 2	235-26241-10	5- 5	257-17141-00	19-24	260-23131-40-33
32- 7	241-84312-00	5-17	257-17211-00	20-28	260-23131-40-33
32- 1	241-84330-00-33	5-18	257-17219-00	19-20	260-23340-30-33
33- 1	241-84330-00-33	5-14	257-17221-01	19-22	260-23318-40
1-14	257-11111-01-94	5-16	257-17231-00	20-22	260-23318-40
1-12	257-11311-00	5-12	257-17241-00	27- 2	260-24731-00
3- 2	257-11412-01	5- 1	257-17411-01	27-11	260-24771-00
3- 3	257-11422-01	5-11	257-17421-01	22-15	260-26311-20
3- 6	257-11681-00	5-28	257-17461-11	22-17	260-26321-00
22-28	257-13151-01	5-28	257-17461-21	23-25	260-26321-00
23-34	257-13151-01	5-28	257-17461-31	22-23	260-26335-00
12- 3	257-13175-00	5- 9	257-17471-01	22-23	260-26335-10
12- 8	257-13178-00	7- 1	257-18101-01	22-23	260-26335-20
9- 1	257-14401-00-35	7- 9	257-18111-00-91	22-25	260-26341-00
9- 8	257-14417-00	6- 3	257-18512-01	17- 7	260-27411-00
9- 2	257-14451-00	6-19	257-18531-00	15-25	260-28100-10
9- 7	257-14453-00	6- 1	257-18534-00	39-29	260-83371-12
9- 6	257-14454-00	6- 7	257-18541-61	39-30	260-83373-00
1- 1	257-15111-01	17- 3	257-27211-00-91	34-10	260-83550-00
5- 7	257-15389-00	13- 1	257-81300-23	32- 3	260-84110-00
2- 1	257-15410-01	13- 3	257-81309-21	33- 6	260-84114-40
2-18	257-15413-00	13-16	257-81315-20	36- 3	260-84514-40
2-10	257-15417-01	13- 2	257-81350-22	36- 6	278-84718-40
2-24	257-15433-00	6- 2	259-18511-01	10-17	283-14112-25
2-19	257-15463-00	3-11	260-11601-00	9- 7	283-14453-00
8- 1	257-15610-02-91	3-11	260-11601-10	22- 1	283-26111-00
5-22	257-15651-01	3-11	260-11601-20	10-19	287-14136-00

NUMERICAL INDEX

Ref No.	Parts No.	Ref No.	Parts No.	Ref No.	Parts No.
2-21	288-14481-01	23-43	341-26290-51	25- 8	357-24311-00
31-19	288-25441-10-33	23-44	341-26290-61	24-12	360-25862-00
31-19	288-25444-10-33	23- 5	341-82911-00	23- 4	360-82910-00
31-19	288-25445-10-33	5-28	347-17461-00	10- 9	363-14137-00
33- 4	290-84115-21	10-14	348-14116-03	25-10	367-24500-04
33- 9	290-84124-21	11- 1	348-14611-00	29-23	367-25381-00
11- 7	296-14753-02	11- 7	348-14753-00	14- 4	368-81311-10
28-20	296-25135-00	12-21	353-13552-01	39-33	375-83350-30
28-30	296-25138-00	10-14	353-14116-02	1-12	378-11311-60
31- 2	296-25304-00	10-30	353-14138-00	9-14	378-13610-61
17-11	296-27231-00	28-13	353-25181-03	9-19	378-13621-60
14- 3	296-81309-10	22-12	353-26241-00	11- 6	378-14710-20
14- 7	296-81332-10	22-13	353-26242-00	1- 2	378-15121-60
13- 7	296-81332-20	31-23	353-25381-00	1-22	378-15359-60
36- 4	296-84523-00	13- 7	353-81332-20	2-11	378-15421-60
10-32	304-14261-00	39-11	353-81970-63	2-12	378-15451-60
8-16	305-15641-00	22- 2	353-82910-01	1-13	381-11181-60
8- 8	305-15660-02	37- 1	353-83310-30-93	1-12	381-11311-60
29-20	306-25136-00	37- 7	353-83316-30	11- 6	381-14710-00
24-12	306-25862-00	37- 2	353-83320-30-93	13- 1	381-81300-20
23-11	306-26242-10	37- 8	353-83326-30	13- 4	381-81312-20
37-14	306-83313-40	3- 1	355-11400-01	13- 5	381-81313-20
37-15	306-83332-40	10- 4	355-14185-00	13-16	381-81315-20
19-17	307-23114-00	15- 1	355-21110-03-33	13- 2	381-81350-20
23-13	307-26281-00	19- 5	355-23124-90	33- 3	381-84103-91
23-14	307-26282-00	19- 5	355-23134-90	33- 7	381-84112-91
37- 3	308-83311-30	25-11	355-24515-00	33- 6	381-84114-90
37-13	308-83311-30	25-19	355-24518-01	33- 5	381-84120-91
33- 8	308-84135-21	25-18	355-24523-00	33-10	381-84154-90
9-16	314-13613-00	25-17	355-24524-01	29- 1	390-25111-00
9-15	314-13616-01	31-11	355-25320-00-35	29-17	390-25191-01
2-17	315-15362-01	14- 1	355-81300-11	30- 2	390-25412-00
28-12	322-25118-00	14- 5	355-81313-11	30- 1	390-25711-00
28-24	326-25330-10	14- 2	355-81350-10	23- 3	393-83973-02
31-14	326-25330-10	39-17	355-81973-00	32-14	393-84313-00
29-12	341-25137-00	39-21	355-82310-40	33-16	393-84313-00
29-10	341-25149-00	34- 6	355-83522-00	22-15	394-26311-00
29-11	341-25846-00	34- 8	355-83524-00	22-15	394-26311-10
24-19	341-25881-00	34- 7	355-83526-00	22-15	394-26311-20

NUMERICAL INDEX

Ref No.	Parts No.	Ref No.	Parts No.	Ref No.	Parts No.
10-22	395-14121-00	40-11	471-00000-20	31-16	538-25355-00
10-27	395-14171-00	9-20	471-13505-60	36-5	543-84521-41
30-6	404-W0057-00	10-1	471-14101-20	34-1	552-83510-11
30-7	404-20000-30	18-9	471-21610-00-93	34-2	552-83520-00
30-11	404-20000-41	18-15	471-21623-00	15-6	596-21158-00-33
24-20	404-25871-01	27-10	471-24770-01-E1	15-7	596-21191-00-33
24-17	404-25876-00	27-10	471-24770-01-J5	20-10	596-23117-00
30-8	404-25919-00	27-10	471-24770-01-U2	20-11	596-23141-00
10-16	405-14114-00	39-28	471-82531-00	20-20	596-23340-00-33
24-20	416-25871-40	39-27	471-82590-20	23-23	596-26311-20
20-12	428-23191-00	22-2	471-82710-00	23-23	596-26311-50
13-8	437-81321-20	15-1	473-21110-02-33	23-30	596-26335-20
39-30	447-83373-00	33-3	473-84103-40	25-14	603-24531-01
22-2	448-82910-21	33-7	473-84112-40	10-31	637-14173-00
36-19	449-85131-01	33-5	473-84120-40	39-23	808-82370-10
36-19	449-85131-01	12-12	474-13101-01	28-27	90101-06278
21-12	462-23441-00-98	9-14	474-13610-01	31-17	90101-06278
21-11	462-23442-00-98	2-11	474-15421-00	30-12	90101-08244
31-1	462-25311-01-35	37-11	474-83330-30-93	17-9	90101-08246
31-19	462-25443-10-33	37-12	474-83340-30-93	18-6	90101-08281
23-1	463-26111-00	39-34	474-83352-00	15-2	90101-08285
23-1	463-26111-21	29-29	478-25188-00	16-18	90101-10255
30-5	464-20000-11	31-31	478-25335-00	21-9	90105-10006
25-6	467-24184-00	18-5	481-21510-02-93	6-17	90109-06001
1-13	468-11181-00	29-2	481-25104-00	23-18	90109-06465
10-1	468-14101-11	29-27	481-25118-01	31-36	90109-08183
15-1	468-21110-42-33	29-14	481-25135-00	31-21	90109-08319
18-9	468-21610-42-93	29-18	481-25138-00	30-3	90109-08367
16-8	468-22311-40-35	23-1	481-26111-00	4-23	90113-06009
16-8	468-22311-40-93	34-10	481-83550-00	1-10	90116-06026
27-2	468-24731-00	1-19	498-15371-00	22-26	90123-06011
32-3	468-84103-40	1-13	517-11181-00	23-32	90123-08013
32-7	468-84112-40	40-6	517-11650-00	23-20	90146-06008
32-6	468-84114-40	3-4	517-11651-00	4-9	90149-05057
32-5	468-84120-40	28-1	517-25111-00-35	7-4	90149-08094
15-1	469-21110-22-33	18-14	526-21621-01	24-6	90151-05008
23-42	469-83382-00	30-4	526-25810-00	33-11	90152-05005
9-20	470-13505-60	39-8	526-82579-00	23-21	90170-06010
10-1	470-14101-01	36-8	526-84551-70-35	31-22	90170-08158
10-17	470-14112-10	28-26	538-25155-00	22-22	90170-10038
		28-23	538-25351-01		
		31-13	538-25351-01		

NUMERICAL INDEX

Ref No.	Parts No.	Ref No.	Parts No.	Ref No.	Parts No.
16-4	90170-10159	4-13	90208-12015	22-30	90462-06009
4-12	90170-12060	36-15	90209-06095	23-36	90462-06009
3-21	90170-12175	21-10	90209-10021	25-9	90467-08003
28-35	90171-10004	8-4	90209-10108	26-12	90467-08003
31-30	90171-10004	5-29	90215-13019	12-22	90468-02033
29-28	90171-12005	5-29	90215-13025	12-24	90468-02033
29-28	90171-12015	16-14	90240-06009	15-29	90468-12007
31-30	90171-10014	6-10	90249-04039	31-39	90468-12007
1-15	90176-06002	17-16	90249-12008	8-17	90468-26048
16-21	90176-10013	6-4	90250-06013	15-16	90480-01141
22-27	90179-06143	3-22	90280-03017	28-22	90480-10068
17-17	90179-06176	3-23	90282-05028	31-12	90480-10068
23-33	90179-08148	6-6	90334-10006	2-16	90480-12012
5-30	90179-12016	20-29	90338-06062	18-20	90480-12013
3-16	90179-12044	22-34	90338-07011	18-20	90480-13016
5-30	90179-12181	22-34	90338-07011	15-32	90480-13016
21-7	90179-25051	22-34	90338-07011	15-31	90480-13203
27-5	90183-04012	23-41	90338-09046	36-17	90480-14102
31-18	90185-06034	6-15	90338-26008	13-15	90480-16110
36-13	90201-06059	1-17	90340-12005	14-15	90480-16110
28-29	90201-07076	36-12	90387-06241	12-20	90501-02217
12-2	90201-08624	36-16	90387-07390	17-15	90501-10245
24-11	90201-10118	28-11	90387-10277	23-22	90501-10312
28-36	90201-10123	31-28	90387-12096	4-10	90501-20122
12-9	90201-10135	29-26	90387-12272	8-3	90504-18005
12-7	90201-10138	31-26	90387-12412	2-22	90506-06095
16-20	90201-10140	5-13	90387-16127	2-3	90506-07066
31-44	90201-12174	5-26	90387-17137	7-2	90506-09009
3-19	90201-12535	5-26	90387-17138	6-18	90506-09112
7-7	90201-12575	3-13	90387-17139	28-25	90506-16034
31-44	90201-12657	23-16	90387-22585	31-15	90506-16034
5-23	90201-13202	24-10	90401-10034	17-12	90506-20041
28-18	90201-20269	12-18	90430-04004	17-6	90506-29054
16-16	90201-20279	39-25	90430-11034	8-12	90508-26136
4-3	90201-23315	1-18	90430-12038	7-3	90508-32207
29-13	90201-25286	10-38	90445-05013	29-7	90560-12138
29-15	90201-25490	10-37	90445-05015	31-7	90560-12170
5-21	90206-15021	12-23	90445-05019	4-14	90560-17150
3-15	90208-12015	39-2	90445-08171	20-26	91311-08025
		1-20	90446-07009	10-15	91401-12010
				10-33	91401-16015

NUMERICAL INDEX

Ref No.	Parts No.	Ref No.	Parts No.	Ref No.	Parts No.
16-15	91401-16015	6-14	92901-05100	15-12	92901-08100
17-13	91401-20012	11- 8	92901-05100	17-10	92901-08100
31-41	91401-20012	12-15	92901-05100	18- 3	92901-08100
28-14	91401-20020	30-10	92901-05100	18- 7	92901-08100
31-24	91401-20020	35- 9	92901-05100	18-11	92901-08100
29-24	91401-30025	36-20	92901-05100	27-16	92901-08100
15-19	91401-50085	39-10	92901-05100	30-13	92901-08100
29-22	91609-20014	39-19	92901-05100	31-38	92901-08100
15-28	91701-06065	39-18	92901-05200	32-12	92901-08100
2- 4	91830-21014	16-11	92901-05600	33-14	92901-08100
2-13	91830-21014	35- 8	92901-05600	37- 9	92901-08100
1- 3	91830-22016	15- 9	92901-06100	38- 9	92901-08100
22-33	92501-06008	18-19	92901-06100	27- 7	92901-08200
23-39	92501-06008	22-20	92901-06100	27- 8	92901-08600
39-31	92501-06010	22-32	92901-06100	31-40	92901-08600
5-10	92501-06012	23- 9	92901-06100	16- 5	92901-10100
22-21	92501-06012	23-28	92901-06100	21-16	92901-10100
23-29	92501-06012	23-38	92901-06100	16-19	92901-10200
24-15	92501-06012	24- 9	92901-06100	21-17	92901-10600
26- 9	92501-06012	24-16	92901-06100	3-20	92901-12100
39-13	92501-06012	24-18	92901-06100	29-21	92901-12600
39-35	92501-06012	31-33	92901-06100	36-20	92903-05100
1-23	92501-06015	31-37	92901-06100	36- 9	92903-06100
9-21	92501-06015	35-14	92901-06100	37-19	92903-06100
18-16	92501-06015	36-24	92901-06100	37-18	92903-06200
2-20	92501-06018	39-14	92901-06100	32-11	92903-08200
10- 8	92501-06018	39-32	92901-06100	33-13	92903-08200
1- 4	92501-06030	39-36	92901-06100	12- 6	93101-10001
2-14	92501-06030	1-16	92901-06200	7- 6	93101-12004
2- 8	92501-06040	17-14	92901-06600	3-18	93102-20009
2-15	92501-06040	18-13	92901-06600	5-27	93102-25017
1- 5	92501-06045	18-17	92901-06600	1-21	93103-25078
2- 7	92501-06045	21-14	92901-06600	28-32	93104-07003
1- 6	92501-06050	22-19	92901-06600	31-10	93104-21016
2- 9	92501-06050	22-31	92901-06600	29-16	93105-45017
1- 9	92501-06055	23-27	92901-06600	28-16	93105-47007
1- 7	92501-06060	23-37	92901-06600	28-10	93106-20001
1- 8	92501-06065	26-10	92901-06600	29-25	93106-20002
15-23	92701-06030	31-34	92901-06600	31-27	93106-20002
9-17	92901-03100	35-13	92901-06600	4-19	93108-15001
		9-13	92901-08100	8- 9	93109-15001
		11-10	92901-08100	28-33	93210-14104
		15- 5	92901-08100		

NUMERICAL INDEX

Ref No.	Parts No.	Ref No.	Parts No.	Ref No.	Parts No.
10- 6	93220-08002	29- 5	94225-17005	33-15	95301-08700
5- 8	93306-20303	31- 5	94225-17005	38-10	95301-08700
3-17	93306-20418	31- 5	94227-17032	21-15	95301-10600
28- 9	93306-30003	28- 6	94330-17023	10-35	95302-05600
28-15	93306-30003	29- 4	94330-17023	36-21	95303-05600
31- 9	93306-30101	31- 6	94330-17023	9- 5	95303-06800
29- 9	93306-30103	28- 3	94412-17002	36-18	95303-06800
3-12	93306-30302	31- 3	94414-17003	37-10	95303-08700
5-25	93306-30305	29- 3	94414-17090	22- 6	95601-05100
3- 7	93310-11268	31- 3	94416-17096	22-11	95601-05100
3- 5	93310-41810	29- 3	94416-17149	23-19	95601-06100
5- 6	93410-13004	31-42	94504-20096	9-12	95701-08100
5-19	93410-13004	31-42	94504-20098	15- 4	95701-08100
5-24	93410-13004	31-42	94504-20100	9-11	95821-08080
8-10	93410-15005	31-43	94604-20001	9-10	95821-08100
28-17	93410-20009	1-24	94701-00039	15- 3	95821-08120
8-14	93410-25017	11- 9	95301-05600	35-10	97301-05010
6-11	93430-03014	12-16	95301-05600	36-23	97301-06010
6- 5	93430-08006	25-20	95301-05600	35-12	97301-06012
12-10	93430-08006	39-20	95301-05600	15- 8	97301-06014
7- 8	93430-10016	36-21	95301-05700	36-14	97301-06020
17- 4	93430-12008	1-15	95301-06600	24- 8	97301-06025
8- 5	93440-10028	18-18	95301-06600	9- 4	97301-06185
5- 3	93440-16030	28-28	95301-06600	18- 2	97301-08012
5-15	93440-16030	31-18	95301-06600	15-10	97301-08016
6- 8	93440-32017	31-32	95301-06600	18-10	97301-08016
3-10	93450-13022	34- 9	95301-06600	27-15	97301-08016
4-20	93501-04011	35-15	95301-06600	27- 6	97301-08018
21- 2	93501-04011	36-25	95301-06600	15-11	97301-08030
4-16	93503-16010	37-20	95301-06600	36-10	97303-06012
12-19	93505-32002	39-15	95301-06600	23- 7	97303-06020
12- 4	93603-22028	39-22	95301-06600	37-17	97303-06030
6- 9	93604-22050	4-22	95301-06700	32-10	97303-08018
6-20	93605-20043	23-10	95301-06700	33-12	97303-08018
28- 4	94125-17259	7- 5	95301-08600	8- 7	97311-06025
29- 6	94125-17259	11-11	95301-08600	21-13	97314-06035
31- 4	94125-17259	15-13	95301-08600	18-12	97321-06016
31- 4	94127-17260	27- 9	95301-08600	7-11	97321-06020
28- 5	94225-17005	31-37	95301-08700	38- 4	98501-03006
		32-13	95301-08700	38- 8	98501-03006
				2- 6	98501-04006
				9- 9	98501-04008

NUMERICAL INDEX

Ref No.	Parts No.	Ref No.	Parts No.	Ref No.	Parts No.
16- 9	98501-05008				
22-29	98501-05010				
23-35	98501-05010				
39- 9	98501-05010				
6-13	98501-05012				
30- 9	98501-05012				
16-10	98501-05016				
23-15	98501-05016				
12-11	98501-05016				
16-10	98501-05020				
22- 4	98501-05020				
22- 9	98501-05025				
39-16	98501-05025				
25-16	98501-05030				
35- 6	98511-03045				
9-18	98512-03008				
21-19	98601-05012				
13-17	98701-05015				
14-16	98701-05015				
12-17	98901-04008				



YAMAHA MOTOR CO. LTD.

PRINTED IN JAPAN
First edition Dec., 1976
(1Y2-2198-E5)